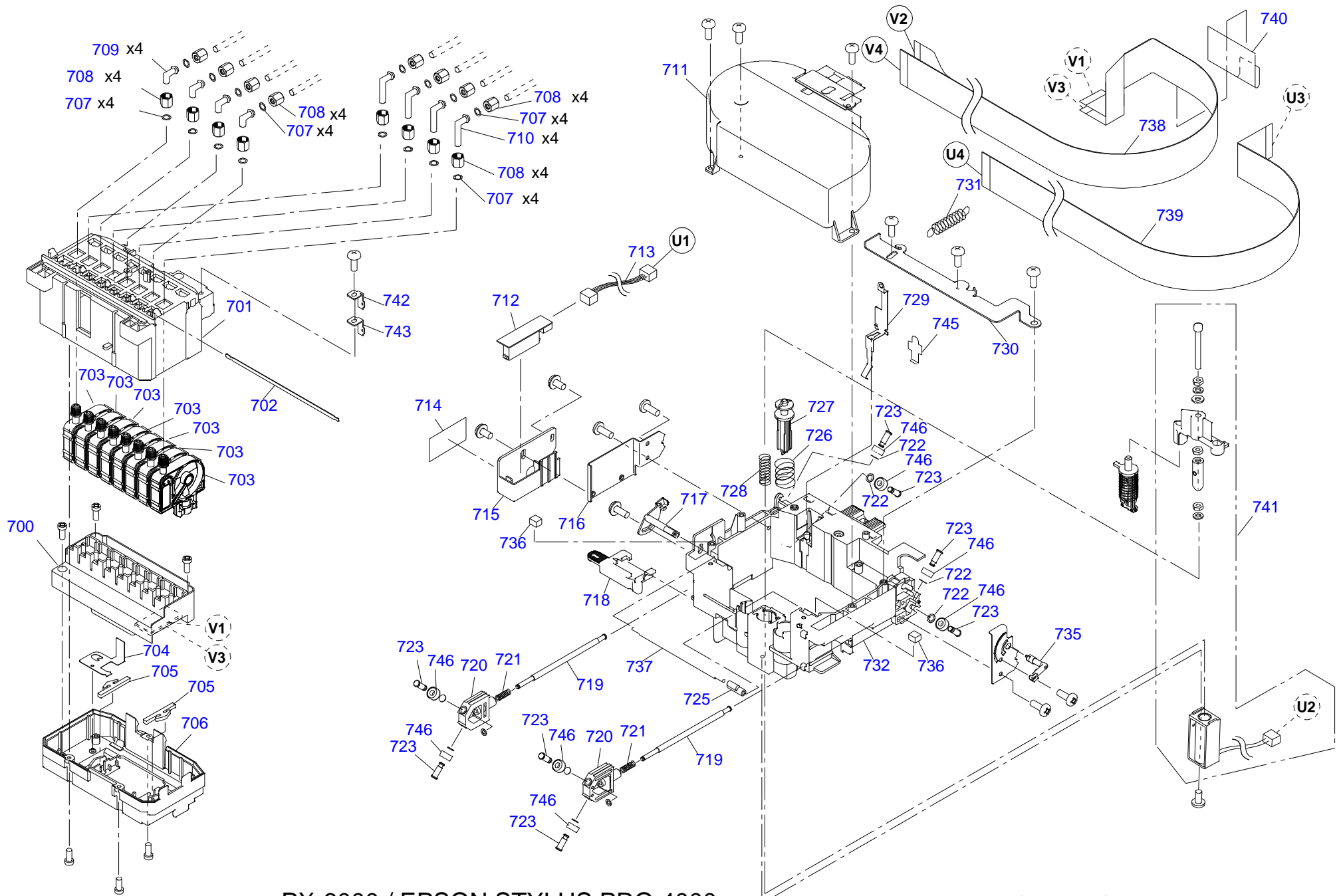
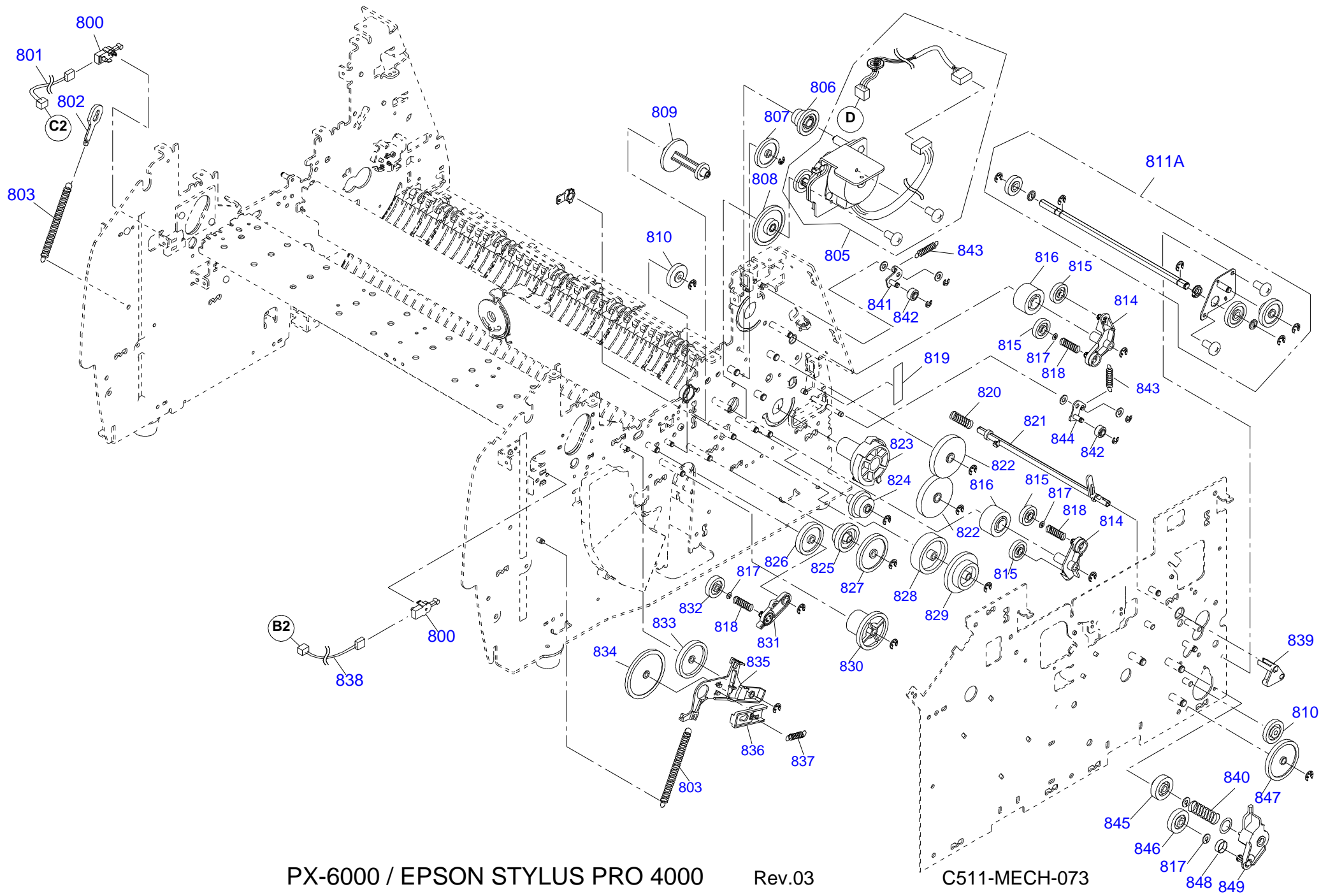


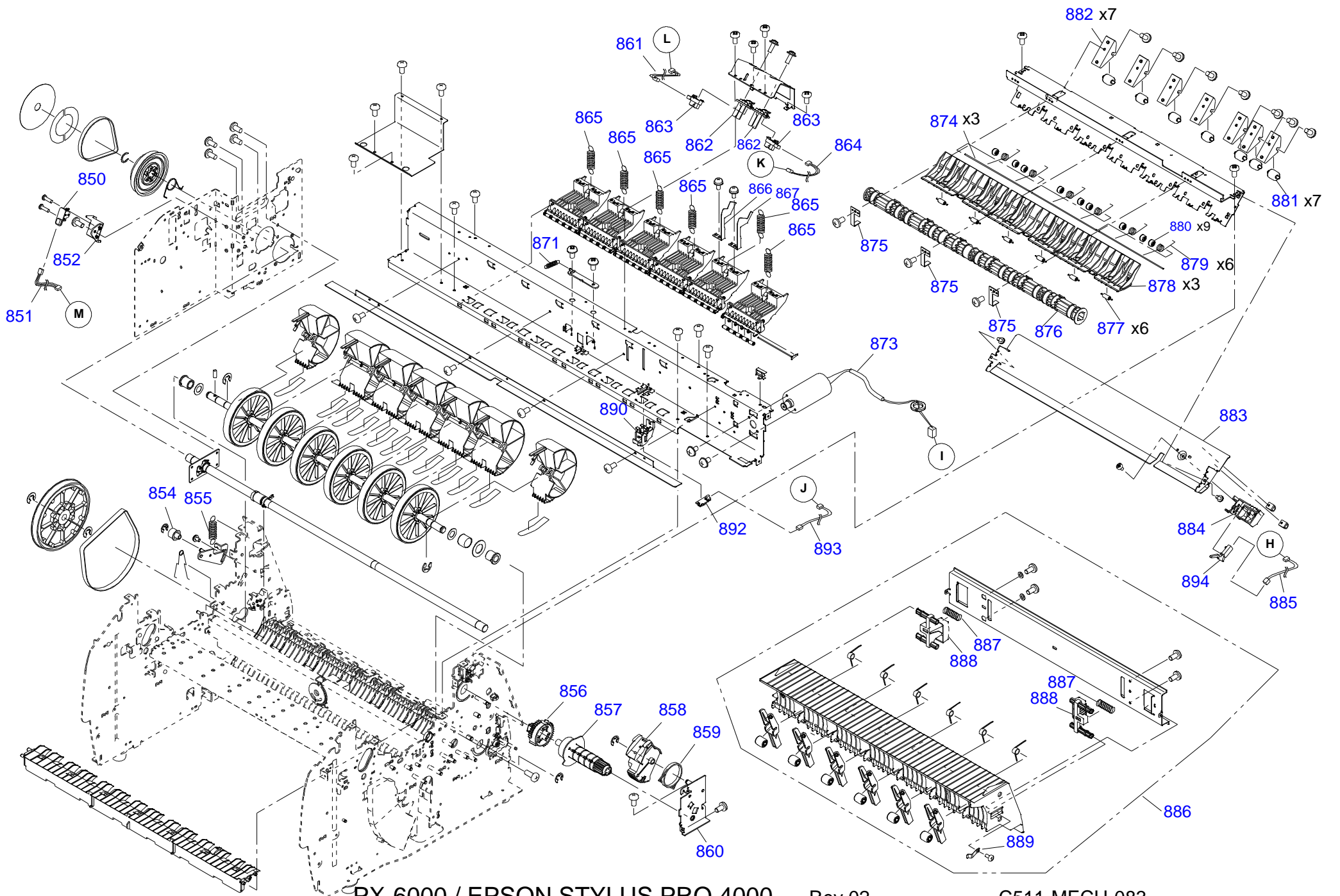
PX-6000 / EPSON STYLUS PRO 4000

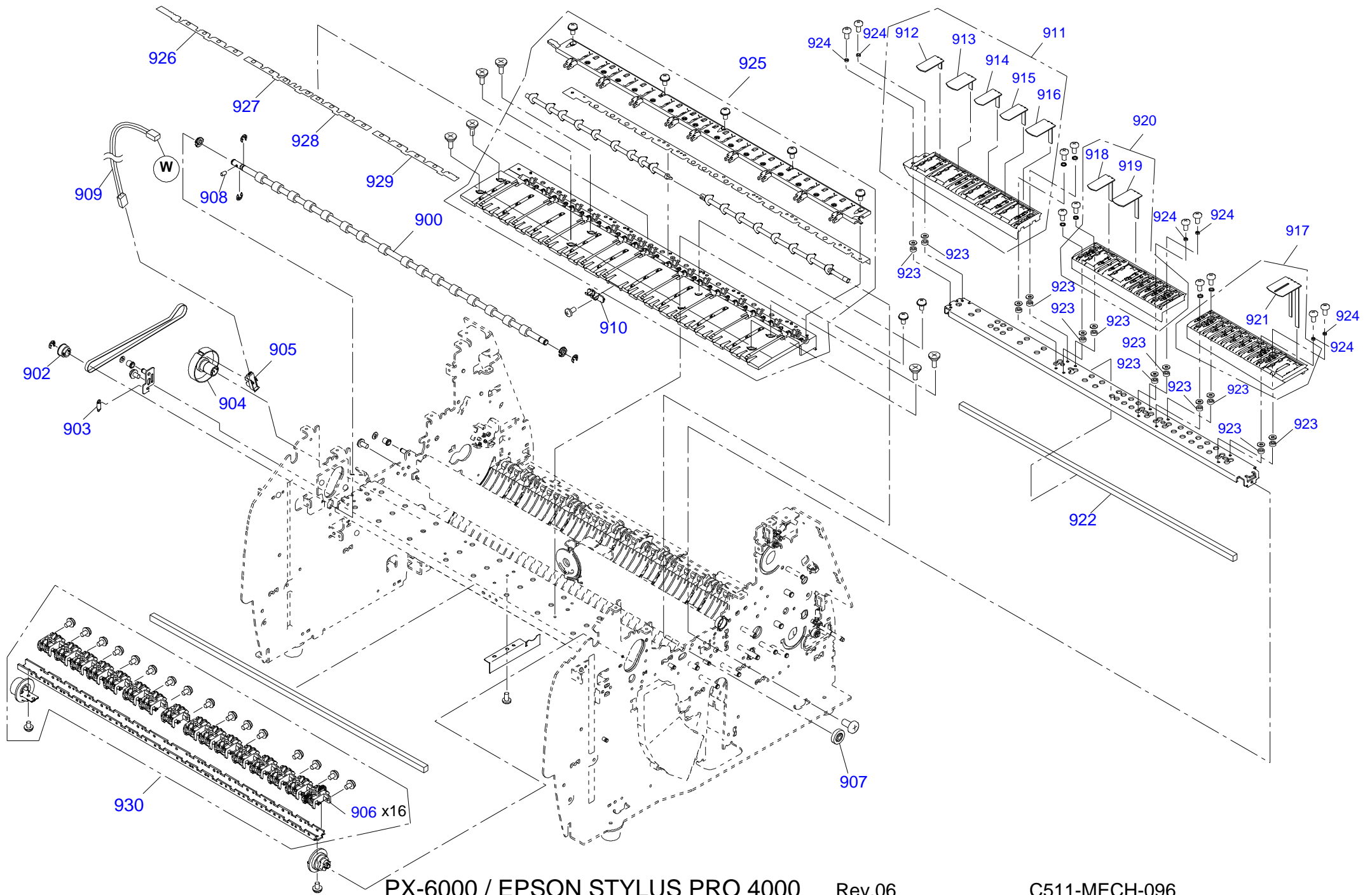
Rev.03

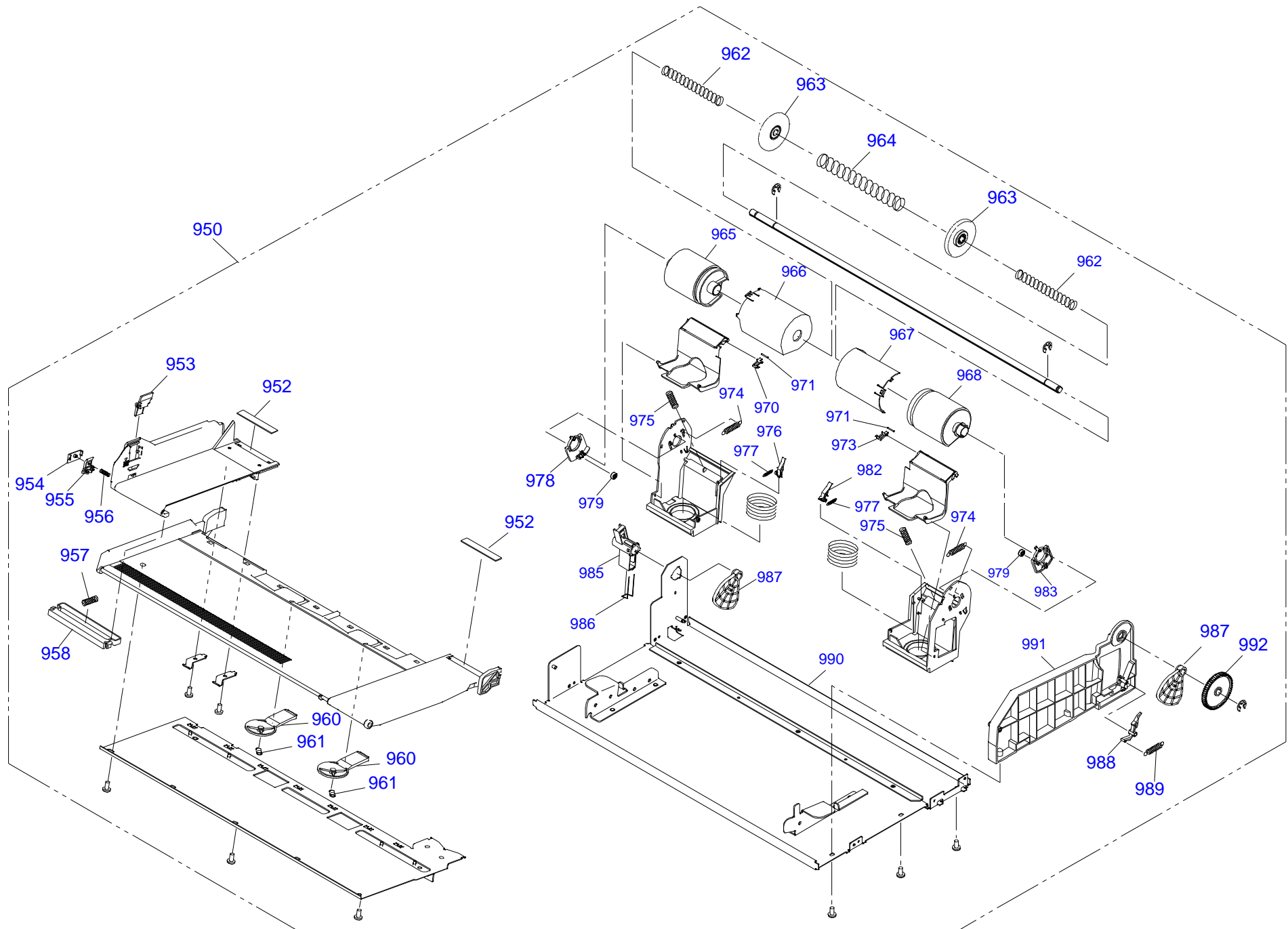
C511-MECH-043











Model	Article	Reference	Description
STYLUS PRO 4000	1269784	100	HOLDER ASSY.,ROLL,SP
STYLUS PRO 4000	1269783	101	HOLDER ASSY.,ROLL,L,SP
STYLUS PRO 4000	1269782	102	HOLDER ASSY.,ROLL,R,SP
STYLUS PRO 4000	1104332	103	ADAPTER
STYLUS PRO 4000	1104330	104	FLANGE,RIGHT
STYLUS PRO 4000	1104331	105	FLANGE,LEFT
STYLUS PRO 4000	1263652	106	SCROLLER,SAB ASSY.
STYLUS PRO 4000	1220015	107	SHAFT,STOPPER,L
STYLUS PRO 4000	1264207	108	MAKEUP SCREW
STYLUS PRO 4000	1234812	109	Ersetzt durch: 1301606
STYLUS PRO 4000	1301606	109	STACKER ASSEMBLY,B
STYLUS PRO 4000	1231236	110	STACKER
STYLUS PRO 4000	1401640	110	STACKER,C
STYLUS PRO 4000	1231245	111	GUIDE,STACKER
STYLUS PRO 4000	1242255	112	STACKER,SUPPORT
STYLUS PRO 4000	1274131	113	TRAY ASSEMBLY,B
STYLUS PRO 4000	1403670	113	TRAY ASSEMBLY,C
STYLUS PRO 4000	1249628	114	LABEL,MODEL NAME
STYLUS PRO 4000	1265063	115	LABEL,ULTRA CHROME INK
STYLUS PRO 4000	1259597	117	LABEL,ASF SET
STYLUS PRO 4000	1104833	118	LABEL,ROLLPAPER SET,2/3 INCH
STYLUS PRO 4000	1291199	119	LABEL,INK COLOR,8COLOR RIGHT
STYLUS PRO 4000	1299692	119	LABEL,INK COLOR,8COLOR RIGHT,B
STYLUS PRO 4000	1231229	150	MOUNTING PLATE,FAN,POWER SUPPLY
STYLUS PRO 4000	1219618	151	COVER,HARNESS
STYLUS PRO 4000	1299523	151	COVER,HARNESS,B
STYLUS PRO 4000	1269616	152	FILTER,FAN ASSY.
STYLUS PRO 4000	1055583	153	COVER,CONECTER,UPPER,B
STYLUS PRO 4000	1232657	154	COVER,I/F
STYLUS PRO 4000	1259966	155	GROUND PLATE,IF
STYLUS PRO 4000	1290853	155	GROUND PLATE,IF,B
STYLUS PRO 4000	1270101	156	FILTER,RIGHT
STYLUS PRO 4000	1270017	157	MOUNT PLATE,FILTER,RIGHT
STYLUS PRO 4000	1270014	158	DUCT,RIGHT
STYLUS PRO 4000	1011863	159	GROUNDING PLATE,I/F,UPPER
STYLUS PRO 4000	2080059	200	BOARD ASSY., MAIN, 5920A,STD
STYLUS PRO 4000	2080067	300	BOARD ASSY.,POWER SUPPLY, 5924A,STANDARD
STYLUS PRO 4000	2080894	301	HARNESS
STYLUS PRO 4000	2087847	302	HARNESS, AC INRET(3PIN)
STYLUS PRO 4000	2093530	302	HARNESS, AC INRET(3PIN)
STYLUS PRO 4000	2088951	500	Ersetzt durch: 2113359
STYLUS PRO 4000	2113359	500	PRINTER MECHANISM(SP),M-AB60-103 NON-EAI
STYLUS PRO 4000	1269786	501	COVER ASSY.,SIDE,L,SP
STYLUS PRO 4000	1231241	502	COVER,I/H,LEFT
STYLUS PRO 4000	1033723	503	LATCH,COVER I/C
STYLUS PRO 4000	1231243	504	GUIDE,I/H,LEFT
STYLUS PRO 4000	1231233	505	PANEL,FRONT
STYLUS PRO 4000	1219617	506	COVER,REAR
STYLUS PRO 4000	1246018	507	STOPPER,COVER PRINTER,LEFT
STYLUS PRO 4000	1246017	508	STOPPER,COVER PRINTER,RIGHT
STYLUS PRO 4000	1306278	509	COVER,PRINTER,B
STYLUS PRO 4000	1219624	509	Ersetzt durch: 1306278

Model	Article	Reference	Description
STYLUS PRO 4000	1219623	510	KNOB,RELEASE,LEVER
STYLUS PRO 4000	1219619	511	COVER,INSIDE,RELEASE,LEVER
STYLUS PRO 4000	1269785	512	COVER ASSY.,SIDE,R,SP
STYLUS PRO 4000	1249367	513	POROUS PAD,HOLDER,INK EJECT
STYLUS PRO 4000	1267084	514	POROUS PAD,INK EJECT,SUB
STYLUS PRO 4000	1231242	515	GUIDE,I/H,RIGHT
STYLUS PRO 4000	1231240	516	COVER,I/H,RIGHT
STYLUS PRO 4000	1219993	517	FRAME,PANEL,UNDER,RIGHT
STYLUS PRO 4000	2080893	518	CONTROL,PANEL
STYLUS PRO 4000	2080201	519	HARNESS,PANEL
STYLUS PRO 4000	1250411	520	LOGO PLATE,13X54,E
STYLUS PRO 4000	1243285	521	LABEL,INK COLOR,LEFT
STYLUS PRO 4000	1299689	521	LABEL,INK COLOR,LEFT,B
STYLUS PRO 4000	1261383	522	LABEL,CAUTION,TRANSPORT
STYLUS PRO 4000	1249629	524	LABEL,CHOKE CLEANING
STYLUS PRO 4000	1243281	525	LABEL,PAPER LEVER SET UP
STYLUS PRO 4000	1249443	526	LABEL,PAPER JAMMING REMOVAL
STYLUS PRO 4000	1249440	527	LABEL,ACCESSORY
STYLUS PRO 4000	1402658	542	LABEL,ROLL PAPER SET,B
STYLUS PRO 4000	1230885	550	HOLDER ASSY.,IC,LEFT
STYLUS PRO 4000	1091087	551	MOUNTING PLATE,HOLDER,IC,L
STYLUS PRO 4000	1091090	552	FRAME,HOLDER,IC,UPPER
STYLUS PRO 4000	1091091	553	FRAME,HOLDER,IC,LOWER
STYLUS PRO 4000	1091094	554	PRESSING PLATE,IC
STYLUS PRO 4000	1091096	555	TORSION SPRING,158.6
STYLUS PRO 4000	1091098	556	FAN GEAR,34
STYLUS PRO 4000	1091099	557	CAM,IC,FIXING
STYLUS PRO 4000	1219632	558	SHAFT,LOCK,IC
STYLUS PRO 4000	1219633	559	FRAME,I/S,TOP
STYLUS PRO 4000	1219661	560	LEVER,IC,OPERATE
STYLUS PRO 4000	1219663	561	SPUR GEAR,22
STYLUS PRO 4000	1230882	562	FRAME ASSY.,NEEDLE
STYLUS PRO 4000	1230884	563	MOUNTING PLATE ASSY.,HOLDER,IC,R
STYLUS PRO 4000	1249372	564	MOUNT PLATE,BASE,IH,LEFT
STYLUS PRO 4000	1259967	565	MOUNTING PLATE,HOLDER,IC,R
STYLUS PRO 4000	1264224	566	GROUND PLATE,IH
STYLUS PRO 4000	2020393	567	DETECTOR,LEAF,B2, 1,0V,0A,
STYLUS PRO 4000	2060507	568	BOARD ASSY.,IC
STYLUS PRO 4000	2071647	569	Ersetzt durch: 2060220
STYLUS PRO 4000	1219620	570	KNOB,I/C,LOCK LEVER
STYLUS PRO 4000	1219660	571	CAM,VALVE
STYLUS PRO 4000	2078939	572	HARNESS,I/S,L
STYLUS PRO 4000	1249365	573	TUBE,SUPPLY,INK,MB
STYLUS PRO 4000	1249360	574	TUBE,SUPPLY,INK,C
STYLUS PRO 4000	1249361	575	TUBE,SUPPLY,INK,M
STYLUS PRO 4000	1249364	576	TUBE,SUPPLY,INK,Y
STYLUS PRO 4000	1056164	577	Ersetzt durch: 1614680
STYLUS PRO 4000	1614680	577	ORING,CONECTOR M7
STYLUS PRO 4000	1091107	578	CONNECTING SCREW,M7
STYLUS PRO 4000	1235237	579	JOINT,3
STYLUS PRO 4000	1249356	580	JOINT,3,L
STYLUS PRO 4000	2082704	581	HARNESS,CSIC,MB

Model	Article	Reference	Description
STYLUS PRO 4000	2082705	582	HARNESS,CSIC,C
STYLUS PRO 4000	2082706	583	HARNESS,CSIC,M
STYLUS PRO 4000	2082707	584	HARNESS,CSIC,Y
STYLUS PRO 4000	1230881	585	Ersetzt durch: 1469602
STYLUS PRO 4000	1469602	585	HOLDER ASSY.,IC,RIGHT
STYLUS PRO 4000	1249371	586	MOUNT PLATE,BASE,IH,RIGHT
STYLUS PRO 4000	1249358	587	TUBE,SUPPLY,INK,BK
STYLUS PRO 4000	1249362	588	TUBE,SUPPLY,INK,LC
STYLUS PRO 4000	1249363	589	TUBE,SUPPLY,INK,LM
STYLUS PRO 4000	1249359	590	TUBE,SUPPLY,INK,LK
STYLUS PRO 4000	2082708	591	HARNESS,CSIC,BK
STYLUS PRO 4000	2082709	592	HARNESS,CSIC,LC
STYLUS PRO 4000	2082710	593	HARNESS,CSIC,LM
STYLUS PRO 4000	2082711	594	HARNESS,CSIC,LK
STYLUS PRO 4000	2078951	595	HARNESS,I/S,R
STYLUS PRO 4000	1400711	606	POROUS PAD,GUTTER,EXHAUST
STYLUS PRO 4000	1277287	606	POROUS PAD,INK,GUTTER,B
STYLUS PRO 4000	1268462	607	Ersetzt durch: 1442067
STYLUS PRO 4000	1264116	608	SPACER,FRAME,PAPER GUIDE,FRONT
STYLUS PRO 4000	1262677	609	INDUCTION DUCT
STYLUS PRO 4000	1270335	610	POROUS PAD,BOX,FL,UPPER
STYLUS PRO 4000	1270047	611	POROUS PAD,BOX,FL,LOWER
STYLUS PRO 4000	1408200	612	BOX ASSY.,FLUSHING
STYLUS PRO 4000	1230879	612	Ersetzt durch: 1408200
STYLUS PRO 4000	2082701	613	HARNESS,PUMP,PHASE DETECTION
STYLUS PRO 4000	1281194	614	Ersetzt durch: 1472715
STYLUS PRO 4000	1271403	615	CLEANER,HEAD,B,ASP
STYLUS PRO 4000	1264516	616	JOINT,BOX,FLUSHING
STYLUS PRO 4000	1289906	617	PUMP CAP ASSY.,B
STYLUS PRO 4000	1270025	618	SHEET,INK,STOPPER,C
STYLUS PRO 4000	1276759	619	TAPE,INK,STOPPER,C
STYLUS PRO 4000	1276758	620	POROUS PAD,INK,STOPPER,C
STYLUS PRO 4000	1220013	621	LEAF SPRING,LOCK
STYLUS PRO 4000	1219997	622	GUIDE RAIL,INK EJECT BOX,UPPER
STYLUS PRO 4000	1270023	623	POROUS PAD,GUIDE,INK EJECT,B
STYLUS PRO 4000	1234019	624	GUIDE,INK EJECT,B
STYLUS PRO 4000	1270022	625	POROUS PAD,GUIDE,INK EJECT,A
STYLUS PRO 4000	1234018	626	GUIDE,INK EJECT,A
STYLUS PRO 4000	1220006	627	BRACKET,INK EJECT BOX
STYLUS PRO 4000	1219992	628	GUIDE RAIL,INK EJECT BOX,LEFT
STYLUS PRO 4000	1230883	629	Ersetzt durch: 1408203
STYLUS PRO 4000	1408203	629	HOLDER ASSY.,BOARD,INK EJECT
STYLUS PRO 4000	2080880	630	HARNESS,CSIC,MT
STYLUS PRO 4000	1091074	631	POROUS PAD ASSY.,INK EJECT
STYLUS PRO 4000	2080200	632	HARNESS,R1
STYLUS PRO 4000	2080198	633	HARNESS,R2
STYLUS PRO 4000	2080202	634	HARNESS,L1
STYLUS PRO 4000	2080199	635	HARNESS,L2
STYLUS PRO 4000	2082702	636	HARNESS,PANEL,INTERMIT
STYLUS PRO 4000	1250214	638	RECYCL CLAMP
STYLUS PRO 4000	1274727	639	GUTTER,INK ASSY.
STYLUS PRO 4000	2080065	650	BOARD ASSY.,SUB-C, 5923A,STD.

Model	Article	Reference	Description
STYLUS PRO 4000	1219871	651	DUCT,AIR,E
STYLUS PRO 4000	1230520	652	EXTENSION SPRING,2.55
STYLUS PRO 4000	1249354	653	GUIDE,FFC
STYLUS PRO 4000	1230530	654	EXTENSION SPRING,13.05
STYLUS PRO 4000	2078969	655	MOTOR ASSY.,PF
STYLUS PRO 4000	1219869	656	DUCT,AIR,D
STYLUS PRO 4000	2080205	657	FAN,BLOWER
STYLUS PRO 4000	2103408	657	FAN,BLOWER,C593
STYLUS PRO 4000	1219923	658	PAPER GUIDE,PAPER EJECT,STACK
STYLUS PRO 4000	1219926	661	ROLLER,PAPER GUIDE
STYLUS PRO 4000	1249442	663	LABEL,CUTTER CHANGE
STYLUS PRO 4000	1273730	664	COVER,FAN,LEFT
STYLUS PRO 4000	2078980	665	HARNESS,FAN,A
STYLUS PRO 4000	2078981	666	HARNESS,FAN,B
STYLUS PRO 4000	1273729	667	COVER,FAN,RIGHT
STYLUS PRO 4000	1219904	668	PAD,AIR SEAL,D
STYLUS PRO 4000	1219868	669	DUCT,AIR,A
STYLUS PRO 4000	2078977	670	HARNESS,COVER OPEN
STYLUS PRO 4000	1269667	671	LEVER,ROLLER,SUB
STYLUS PRO 4000	1270018	672	COVER,DUCT,C
STYLUS PRO 4000	1270044	673	PAD,DUCT,RIGHT LOWER
STYLUS PRO 4000	1219867	674	DUCT,AIR,C
STYLUS PRO 4000	2080063	675	BOARD ASSY.,SUB-B
STYLUS PRO 4000	2078968	676	HARNESS,MOTOR,PG
STYLUS PRO 4000	1270021	677	PAD,FRAME,RIGHT
STYLUS PRO 4000	2084899	678	MOTOR ASSY.,PG, 33.6W,DC
STYLUS PRO 4000	1219759	679	SPUR GEAR,36
STYLUS PRO 4000	1230523	680	EXTENSION SPRING,11.4
STYLUS PRO 4000	1249388	681	COMBINATION GEAR,13.6,20.8
STYLUS PRO 4000	1219767	682	SPUR GEAR,16
STYLUS PRO 4000	1219760	683	COMBINATION GEAR,40,20
STYLUS PRO 4000	1219758	684	COMBINATION GEAR,56,8.8
STYLUS PRO 4000	1219870	685	DUCT,AIR,B
STYLUS PRO 4000	1259969	686	SHEET,PAPER GUIDE,PAPER EJECT,STACK
STYLUS PRO 4000	1270020	687	PAD,DUCT,E
STYLUS PRO 4000	1264223	688	GROUND SPRING,PAPER GUIDE,MIDDLE,LEFT
STYLUS PRO 4000	1265567	690	COVER,DETECTOR,PAPER GUIDE,MIDDLE
STYLUS PRO 4000	2084993	691	HARNESS,DETECTOR,PAPER GUIDE CENTER
STYLUS PRO 4000	1273728	692	PAD,FAN
STYLUS PRO 4000	1276760	693	POROUS PAD,FRAME,SUB,RIGHT
STYLUS PRO 4000	1273504	694	CASE FEET,CP-30-FF-4A,BLACK
STYLUS PRO 4000	F145000	700	Ersetzt durch: F145001
STYLUS PRO 4000	F145001	700	PRINT HEAD,ASP, ASP/1440
STYLUS PRO 4000	1219702	701	CARRIAGE,B
STYLUS PRO 4000	1290785	701	CARRIAGE,B,B
STYLUS PRO 4000	1219751	702	PLATE,DAMPER
STYLUS PRO 4000	1287190	703	Ersetzt durch: 1300687
STYLUS PRO 4000	1300687	703	Ersetzt durch: 1419222
STYLUS PRO 4000	1419222	703	VALVE ASSY.,HEAD,C
STYLUS PRO 4000	1287667	704	GROUND PLATE,A,B
STYLUS PRO 4000	1264204	705	POROUS PAD,CR
STYLUS PRO 4000	1290786	706	CARRIAGE,C,B

Model	Article	Reference	Description
STYLUS PRO 4000	1219704	706	Ersetzt durch: 1290786
STYLUS PRO 4000	1288197	711	COVER,CR,B
STYLUS PRO 4000	2080204	712	BOARD ASSY.,MULTISENSOR
STYLUS PRO 4000	2078962	713	HARNESS,MULTISENSOR
STYLUS PRO 4000	1261387	714	LABEL,CUT POSITION
STYLUS PRO 4000	1219716	715	HOLDER,MULTISENSOR
STYLUS PRO 4000	1219715	716	PLATE,BEARING,R
STYLUS PRO 4000	1300413	716	PLATE,BEARING,R,B
STYLUS PRO 4000	1219748	717	CAM,INCLINATION,R
STYLUS PRO 4000	1262577	718	Ersetzt durch: 1400962
STYLUS PRO 4000	1400962	718	LEVER,FASTEN,FOR TRANSFER,B
STYLUS PRO 4000	1219709	719	SHAFT,CONNECTION
STYLUS PRO 4000	1219711	720	HOLDER,BEARING
STYLUS PRO 4000	1272861	721	COMPRESSION SPRING,27.8
STYLUS PRO 4000	1260145	722	POLY SLIDER,STW-FT40,t=0.25
STYLUS PRO 4000	1219708	723	SHAFT,BEARING
STYLUS PRO 4000	1219742	724	HOLDER,SOLENOID
STYLUS PRO 4000	1219747	725	CAM,INCLINATION,L
STYLUS PRO 4000	1230518	726	COMPRESSION SPRING,0.191
STYLUS PRO 4000	1219730	727	SLIDER,CR LOCK
STYLUS PRO 4000	1230517	728	COMPRESSION SPRING,0.52
STYLUS PRO 4000	1287668	729	GROUND PLATE,B,B
STYLUS PRO 4000	1219712	730	LEVER,INCLINATION
STYLUS PRO 4000	1230515	731	EXTENSION SPRING,3.81
STYLUS PRO 4000	1290784	732	CARRIAGE,A,B
STYLUS PRO 4000	2078959	733	SOLENOID,CR
STYLUS PRO 4000	1219714	734	PLATE,BEARING,L
STYLUS PRO 4000	1300411	734	PLATE,BEARING,L,B
STYLUS PRO 4000	1290787	735	LEVER,CAM,B
STYLUS PRO 4000	1274133	736	STOPPER,CARRIAGE
STYLUS PRO 4000	1219739	737	SHAFT,INCLINATION CAM
STYLUS PRO 4000	2080197	738	HARNESS,HEAD
STYLUS PRO 4000	2082703	739	HARNESS,HEAD,INTERMIT
STYLUS PRO 4000	1276768	740	SHEET,FFC
STYLUS PRO 4000	1296110	741	SOLENOID ASSY.,CR,SP
STYLUS PRO 4000	1290562	742	ADJUST PLATE,CR,UPPER
STYLUS PRO 4000	1290563	743	ADJUST PLATE,CR,LOWER
STYLUS PRO 4000	1283931	744	C.B.P-TITE,2.6X8
STYLUS PRO 4000	1041438	744	Ersetzt durch: 1283931
STYLUS PRO 4000	1278341	745	SPACER,CARREAGE A
STYLUS PRO 4000	1076308	746	BALL BEARING(B210151490)
STYLUS PRO 4000	1219777	752	LEVER,LOCK,PG
STYLUS PRO 4000	1219757	753	BUSHING,LOCK
STYLUS PRO 4000	1306183	753	BUSHING,LOCK,B
STYLUS PRO 4000	1234017	756	EXTENSION SPRING,2.58
STYLUS PRO 4000	1219741	757	LEVER,SCALE,CR
STYLUS PRO 4000	1230519	758	EXTENSION SPRING,3.86
STYLUS PRO 4000	1219738	759	SCALE,CR
STYLUS PRO 4000	1219744	760	BELT,CR
STYLUS PRO 4000	1219720	761	PULLEY,DRIVEN
STYLUS PRO 4000	1219721	762	SHAFT,PULLEY
STYLUS PRO 4000	1234322	763	COMPRESSION SPRING,29.4

Model	Article	Reference	Description
STYLUS PRO 4000	2032842	770	DETECTOR,HP,E, 4V,50MA,100MW
STYLUS PRO 4000	1230524	772	BELT,PG
STYLUS PRO 4000	2078958	773	HARNESS,DETECTOR,PG
STYLUS PRO 4000	1048919	778	BOARD ASSY.,ENCODER
STYLUS PRO 4000	1219706	779	HOLDER,TUBE,B
STYLUS PRO 4000	1270045	780	PAD,TUBE
STYLUS PRO 4000	1219705	781	HOLDER,TUBE,A
STYLUS PRO 4000	2080061	782	BOARD ASSY.,SUB, 5921A,STD
STYLUS PRO 4000	2078961	783	HARNESS,ENCODER
STYLUS PRO 4000	1219736	784	COVER,TUBE
STYLUS PRO 4000	1219737	785	GUIDE,TUBE,CR
STYLUS PRO 4000	1234020	786	SHEET,TUBE
STYLUS PRO 4000	1219731	787	GUIDE PLATE,TUBE
STYLUS PRO 4000	1219727	788	SHEET,SUS
STYLUS PRO 4000	1219732	789	Ersetzt durch: 1289166
STYLUS PRO 4000	1289166	789	HOLDER,FFC,B
STYLUS PRO 4000	1278337	790-A	SPACER,MIDDLE,0.05
STYLUS PRO 4000	1278338	790-B	SPACER,MIDDLE,0.1
STYLUS PRO 4000	1278339	790-C	SPACER,MIDDLE,0.2
STYLUS PRO 4000	1278340	790-D	SPACER,MIDDLE,0.5
STYLUS PRO 4000	1278824	790-E	SPACER,MIDDLE,0.08
STYLUS PRO 4000	2078957	791	HARNESS,DETECTOR,HP
STYLUS PRO 4000	2078954	801	HARNESS,PAPER EJECT PHASE,LEFT
STYLUS PRO 4000	1219914	802	LEVER,CHANGE PAPER EJECT,L
STYLUS PRO 4000	1230544	803	EXTENSION SPRING,6.99
STYLUS PRO 4000	1269788	805	MOUNT ASSY.,PLATE,MOTOR,ASF,SP
STYLUS PRO 4000	1219686	806	COMBINATION GEAR,12,22.4
STYLUS PRO 4000	1219691	807	SPUR GEAR,25.6
STYLUS PRO 4000	1219693	808	COMBINATION GEAR,12.8,36
STYLUS PRO 4000	1219688	809	COMBINATION GEAR,13.6,28.8
STYLUS PRO 4000	1219768	810	SPUR GEAR,20
STYLUS PRO 4000	1219894	811	SPUR GEAR,16,FRAME,TRANSMIT
STYLUS PRO 4000	1300544	811A	PG TRANSMIT ASSY.,C593
STYLUS PRO 4000	1249390	812	COMBINATION GEAR,11.2,24
STYLUS PRO 4000	1289600	813	SPUR GEAR,21.6,RELEASE,A
STYLUS PRO 4000	1219824	814	HOLDER,PLANET,RELEASE
STYLUS PRO 4000	1405100	814	HOLDER,PLANET,RELEASE,B
STYLUS PRO 4000	1219821	815	SPUR GEAR,16,RELEASE
STYLUS PRO 4000	1219820	816	SPUR GEAR,22,RELEASE
STYLUS PRO 4000	1264474	817	POLY SLIDER,STW-FT70,t=0.25
STYLUS PRO 4000	1035494	818	COMPRESSION SPRING,0.98
STYLUS PRO 4000	1270016	819	SHEET,FRAME,RIGHT
STYLUS PRO 4000	1230512	820	EXTENSION SPRING,2.41
STYLUS PRO 4000	1219681	821	LEVER,LOCK,DE
STYLUS PRO 4000	1230539	822	SPUR GEAR,38
STYLUS PRO 4000	1219822	823	INTERMITTENT GEAR,RELEASE,TRANSMIT
STYLUS PRO 4000	1219818	824	COMBINATION GEAR,22,16.8
STYLUS PRO 4000	1219695	825	COMBINATION GEAR,16.74,24
STYLUS PRO 4000	1219883	826	SPUR GEAR,28
STYLUS PRO 4000	1219890	827	SPUR GEAR,33.6,B
STYLUS PRO 4000	1219694	828	SPUR GEAR,33.6
STYLUS PRO 4000	1219891	829	COMBINATION GEAR,24,36

Model	Article	Reference	Description
STYLUS PRO 4000	1219886	830	COMBINATION GEAR,19.2,33.6
STYLUS PRO 4000	1219888	831	HOLDER,PLANET,CHANGE PAPER EJECT
STYLUS PRO 4000	1219889	832	SPUR GEAR,17.6,PLANET
STYLUS PRO 4000	1219885	833	SPUR GEAR,32.8,A
STYLUS PRO 4000	1219916	834	SPUR GEAR,44,PAPER EJECT
STYLUS PRO 4000	1219909	835	LEVER,CHANGE PAPER EJECT,R
STYLUS PRO 4000	1219915	836	LEVER,LOCK,CHANGE PAPER EJECT,R
STYLUS PRO 4000	1295050	836	LEVER,LOCK,CHANGE PAPER EJECT,R,B
STYLUS PRO 4000	1230543	837	EXTENSION SPRING,6.71
STYLUS PRO 4000	2080879	838	HARNESS,PAPER EJECT PHASE,RIGHT
STYLUS PRO 4000	1219764	839	LEVER,LOCK,PLANET
STYLUS PRO 4000	1219761	840	COMBINATION GEAR,36,8.8
STYLUS PRO 4000	1268876	841	PLATE ASSY.,ROLLER,BRAKE,UPPER
STYLUS PRO 4000	1268703	842	ROLLER ASSY.,BRAKE
STYLUS PRO 4000	1268894	843	EXTENSION SPRING,1.38
STYLUS PRO 4000	1268889	844	PLATE ASSY.,ROLLER,BRAKE,LOWER
STYLUS PRO 4000	1219765	845	SPUR GEAR,20,PLANET
STYLUS PRO 4000	1219763	846	SPUR GEAR,16,PLANET
STYLUS PRO 4000	1230525	847	COMPRESSION SPRING,3.38
STYLUS PRO 4000	1264206	848	COMPRESSION SPRING,0.78
STYLUS PRO 4000	1219762	849	HOLDER,PLANET
STYLUS PRO 4000	2035504	850	BOARD ASSY.,ENCODER
STYLUS PRO 4000	2078975	851	HARNESS,ENCODER,PF
STYLUS PRO 4000	1219802	852	HOLDER,SENSOR
STYLUS PRO 4000	1219809	854	PULLEY,BELT TENSION
STYLUS PRO 4000	1230531	855	EXTENSION SPRING,15.98
STYLUS PRO 4000	1230536	856	INTERMITTENT GEAR,40
STYLUS PRO 4000	1230537	857	SPUR GEAR,18
STYLUS PRO 4000	1219843	858	LEVER,RELEASE,ROLLER,DRIVEN
STYLUS PRO 4000	1230535	859	TORSION SPRING,615
STYLUS PRO 4000	1230890	860	FRAME ASSY.,LEVER,RELEASE
STYLUS PRO 4000	2078940	861	HARNESS,PAPER THICKNESS,1
STYLUS PRO 4000	1219853	862	HOLDER,DETECTOR,PAPER THICKNESS
STYLUS PRO 4000	2078955	864	HARNESS,PAPER THICKNESS,2
STYLUS PRO 4000	1230534	865	EXTENSION SPRING,8.08
STYLUS PRO 4000	1219851	866	LEVER,DETECTOR,PAPER THICKNESS,A
STYLUS PRO 4000	1219852	867	LEVER,DETECTOR,PAPER THICKNESS,B
STYLUS PRO 4000	1270673	871	EXTENSION SPRING,0.22
STYLUS PRO 4000	2080203	873	MOTOR ASSY.,CR
STYLUS PRO 4000	1219849	874	SHAFT,HOLDER,ROLLER,REAR
STYLUS PRO 4000	1219607	875	FRAME,SUB,HOLDER,ROLLER,REAR
STYLUS PRO 4000	1219845	876	SHAFT,RELEASE,ROLLER,DRIVEN
STYLUS PRO 4000	1219846	877	ROLLER,REAR
STYLUS PRO 4000	1219847	878	HOLDER,ROLLER,REAR
STYLUS PRO 4000	1266873	879	TORSION SPRING,41.2
STYLUS PRO 4000	1219848	880	ROLLER,GUIDE,ROLLER PAPER
STYLUS PRO 4000	1035402	881	ROLLER,LOADING,2
STYLUS PRO 4000	1219842	882	HOLDER,ROLLER,ROLLER PAPER
STYLUS PRO 4000	1219608	883	GUIDE,ROLLED PAPER
STYLUS PRO 4000	1219844	884	MOUNT PLATE,DETECTOR,REAR
STYLUS PRO 4000	2078953	885	HARNESS,HAND INSERTION,REAR
STYLUS PRO 4000	1269796	886	PAPER GUIDE ASSY.,M,SP

Model	Article	Reference	Description
STYLUS PRO 4000	1230533	887	COMPRESSION SPRING,3.47
STYLUS PRO 4000	1219840	888	LEVER,LOCK,PAPER GUIDE,MIDDLE
STYLUS PRO 4000	1219832	889	GROUND SPRING,PAPER GUIDE,MIDDLE
STYLUS PRO 4000	1219850	890	HOLDER,DETECTOR,PE
STYLUS PRO 4000	2023967	892	BOARD ASSY.,PW
STYLUS PRO 4000	2078976	893	HARNESS,DETECTOR,PE
STYLUS PRO 4000	2021301	894	DETECTOR,PE
STYLUS PRO 4000	2014138	894	Ersetzt durch: 2021301
STYLUS PRO 4000	1219908	900	ROLLER ASSY.,PAPER EJECT
STYLUS PRO 4000	1219919	902	PULLEY,PAPER EJECT ROLLER
STYLUS PRO 4000	1230547	903	EXTENSION SPRING,0.871
STYLUS PRO 4000	1219961	904	WHEEL,DETECTION
STYLUS PRO 4000	1269790	906	STAR WHEEL Assy.,SP
STYLUS PRO 4000	1299759	906	STAR WHEEL Assy.,SP
STYLUS PRO 4000	1219882	907	SPUR GEAR,15.2
STYLUS PRO 4000	1048957	908	SCALLOP SPRING PIN-AW,2X10,F/B
STYLUS PRO 4000	2078956	909	HARNESS,LOAD PHASE
STYLUS PRO 4000	1219922	910	HOLDER,PAPER EJECT ROLLER
STYLUS PRO 4000	1259060	911	Ersetzt durch: 1442060
STYLUS PRO 4000	1442060	911	PAPER GUIDE ASSY.,PAPER EJECT,FRONT,LEFT
STYLUS PRO 4000	1272798	912	POROUS PAD,I
STYLUS PRO 4000	1272797	913	POROUS PAD,H
STYLUS PRO 4000	1272795	914	POROUS PAD,G
STYLUS PRO 4000	1272793	915	POROUS PAD,F
STYLUS PRO 4000	1272792	916	POROUS PAD,E
STYLUS PRO 4000	1259058	917	PAPER GUIDE ASSY.,PAPER EJECT,FRONT,RIGH
STYLUS PRO 4000	1442058	917	PAPER GUIDE ASSY.,PAPER EJECT,FRONT,RIGH
STYLUS PRO 4000	1272790	918	POROUS PAD,C2
STYLUS PRO 4000	1272789	919	POROUS PAD,B2
STYLUS PRO 4000	1259059	920	Ersetzt durch: 1442059
STYLUS PRO 4000	1442059	920	PAPER GUIDE ASSY.,PAPER EJECT,FRONT,MIDD
STYLUS PRO 4000	1272791	921	POROUS PAD,D2
STYLUS PRO 4000	1269614	922	PAD,AIRSEAL,E
STYLUS PRO 4000	1219865	923	BUSHING,SPACER,PLATEN
STYLUS PRO 4000	1270015	924	SPACER,PAPER EJECT
STYLUS PRO 4000	1274765	925	Ersetzt durch: 1300534
STYLUS PRO 4000	1300534	925	PAPER GUIDE,REAR ASSY.
STYLUS PRO 4000	1264203	926	SPACER,PLATE,CUTTER,D
STYLUS PRO 4000	1264202	927	SPACER,PLATE,CUTTER,C
STYLUS PRO 4000	1264201	928	SPACER,PLATE,CUTTER,B
STYLUS PRO 4000	1264200	929	SPACER,PLATE,CUTTER,A
STYLUS PRO 4000	1290203	930	STAR WHEEL ASSY.
STYLUS PRO 4000	1440020	950	ASF UNIT,SP
STYLUS PRO 4000	1269797	950	Ersetzt durch: 1440020
STYLUS PRO 4000	1219947	951	EDGE GUIDE
STYLUS PRO 4000	1219949	952	CORK,PAPER FEED
STYLUS PRO 4000	1035697	953	LEVER,LOCK,EDGE GUIDE
STYLUS PRO 4000	1264623	954	COVER,EDGE GUIDE
STYLUS PRO 4000	1264622	955	LEVER,EDGE GUIDE
STYLUS PRO 4000	1035696	956	COMPRESSION SPRING,0.46
STYLUS PRO 4000	1030960	957	COMPRESSION SPRING,3.23
STYLUS PRO 4000	1219948	958	SLIDER,EDGE GUIDE

Model	Article	Reference	Description
STYLUS PRO 4000	1219943	959	HOPPER
STYLUS PRO 4000	1264118	960	GUIDE,LOWER
STYLUS PRO 4000	1266425	961	EXTENSION SPRING,1.11
STYLUS PRO 4000	1230550	962	COMPRESSION SPRING,0.40
STYLUS PRO 4000	1219936	963	ROLLER,SUB,LD,MIDDLE
STYLUS PRO 4000	1230552	964	COMPRESSION SPRING,0.407
STYLUS PRO 4000	1235932	965	ROLLER ASSY.,LD,LEFT
STYLUS PRO 4000	1219953	966	COVER,ROLLER,LD,LEFT
STYLUS PRO 4000	1219952	967	COVER,ROLLER,LD,RIGHT
STYLUS PRO 4000	1235931	968	ROLLER ASSY.,LD,RIGHT
STYLUS PRO 4000	1235930	969	HOLDER ASSY.,PAD,LEFT
STYLUS PRO 4000	1030449	970	LEVER,PAD,RELEASE,LEFT
STYLUS PRO 4000	1030420	971	ROD SPRING,HOLDER,PAD
STYLUS PRO 4000	1235929	972	HOLDER ASSY.,PAD,RIGHT
STYLUS PRO 4000	1030450	973	LEVER,PAD,RELEASE,RIGHT
STYLUS PRO 4000	1036874	974	EXTENSION SPRING,0.62
STYLUS PRO 4000	1230551	975	COMPRESSION SPRING,1.47
STYLUS PRO 4000	1301888	975	COMPRESSION SPRING,1.47
STYLUS PRO 4000	1219942	976	LEVER,PAPER RETURN,LEFT
STYLUS PRO 4000	1040646	977	EXTENSION SPRING,0.294
STYLUS PRO 4000	1219940	978	HOLDER,ROLLER,LD,SUPPORT,LEFT
STYLUS PRO 4000	1279035	979	ROLLER,LD,SUPPORT
STYLUS PRO 4000	1219939	980	HOLDER,EDGE GUIDE,LEFT
STYLUS PRO 4000	1230549	981	COMPRESSION SPRING,9.82
STYLUS PRO 4000	1219941	982	LEVER,PAPER RETURN,RIGHT
STYLUS PRO 4000	1219938	983	HOLDER,ROLLER,LD,SUPPORT,RIGHT
STYLUS PRO 4000	1219937	984	HOLDER,EDGE GUIDE,RIGHT
STYLUS PRO 4000	1219960	985	BUSHING,LOCK,11.4
STYLUS PRO 4000	1219968	986	GROUND SPRING,ASF
STYLUS PRO 4000	1219959	987	LEVER,HOPPER,RELEASE
STYLUS PRO 4000	1219963	988	LEVER,LOCK,EDGE GUIDE
STYLUS PRO 4000	1264205	989	EXTENSION SPRING,0.33
STYLUS PRO 4000	1230898	990	FRAME ASSY.,ASF,LOWER
STYLUS PRO 4000	1219929	991	FRAME,ASF,RIGHT
STYLUS PRO 4000	1219962	992	GEAR,44.74
STYLUS PRO 4000	2060030	CN48	CONNECTOR, 17,1MM,
STYLUS PRO 4000	2032086	CR1	QUARTZ OSCILLATOR 24.576
STYLUS PRO 4000	2060188	CR2	CRYSTAL 30MHZ
STYLUS PRO 4000	2029051	DM1	DIODE STACK BL,BULK
STYLUS PRO 4000	2068821	F1	FUSE ,63V,0.375A,
STYLUS PRO 4000	2077442	F2	FUSE ,250V,T2A,
STYLUS PRO 4000	2080885	F3	FUSE ,250V,2A,
STYLUS PRO 4000	2033895	FAN1	DC FAN SET
STYLUS PRO 4000	2073111	IC1	VOLTAGE REGULATOR
STYLUS PRO 4000	2060090	IC10	MICROCONTROLLER 28
STYLUS PRO 4000	2060126	IC12	IC SOP,30,
STYLUS PRO 4000	2036166	IC14	IC SOP,,14
STYLUS PRO 4000	2082276	IC21	ASIC OTHERS,388,
STYLUS PRO 4000	2060844	IC22	IC QFP,,144
STYLUS PRO 4000	2031503	IC23	D/A CONVERTER SOP,8,M62090FP
STYLUS PRO 4000	2036339	IC24	HYBRID IC 24
STYLUS PRO 4000	2061113	IC27	HYBRID IC

Model	Article	Reference	Description
STYLUS PRO 4000	2072867	IC31	ASIC QFP,100,
STYLUS PRO 4000	2102671	IC31	ASIC QFP,100,
STYLUS PRO 4000	2060648	IC4	SDRAM ,,54
STYLUS PRO 4000	2054856	IC607	HYBRID IC
STYLUS PRO 4000	1401454	NON FIG	ALLEN WRENCH(3mm)
STYLUS PRO 4000	1401458	NON FIG	ASF EXCHANGE SUPPORT TOOL
STYLUS PRO 4000	1288094	NON FIG	Banding Standard Sample
STYLUS PRO 4000	1401947	NON FIG	BOXWRENCH(SPECIAL PROCESSING)
STYLUS PRO 4000	1401950	NON FIG	CALIBRATE BLOCK&TOOL STAND
STYLUS PRO 4000	1243924	NON FIG	CLEANING LIQUID CARTRIDGE,PRINTING
STYLUS PRO 4000	1477474	NON FIG	CLEANING LIQUID CARTRIDGE,PRINTING
STYLUS PRO 4000	1277074	NON FIG	CODE TYPE MICROPHONE(U-505)
STYLUS PRO 4000	1401455	NON FIG	CR ASSY HOLD TOOL
STYLUS PRO 4000	1284893	NON FIG	CR LOCK TOOL
STYLUS PRO 4000	1400038	NON FIG	CR SHAFT HEIGHT ADJUSTMENT TOOL #F917
STYLUS PRO 4000	1400039	NON FIG	CR SHAFT HEIGHT CHECK TOOL #F916
STYLUS PRO 4000	1400032	NON FIG	CR SHAFT PARALLELISM ADG.TOOL #F923
STYLUS PRO 4000	1400022	NON FIG	CR SHAFT PARALLELISM PRSS TOOL #F924
STYLUS PRO 4000	1400034	NON FIG	CR SHAFT PARALLELISM WEIGHT #F926
STYLUS PRO 4000	1400033	NON FIG	CR SHAFT PASS/UN-PASS TOOL #F925
STYLUS PRO 4000	1400023	NON FIG	CR SUS PLATE SUPPORT TOOL #F910
STYLUS PRO 4000	1401456	NON FIG	CUTTER CAP
STYLUS PRO 4000	1400035	NON FIG	CUTTER HEIGHT ADJUSTMENT TOOL #F927
STYLUS PRO 4000	1401948	NON FIG	CUTTER PLATE DITCH POSITION TOOL
STYLUS PRO 4000	1400036	NON FIG	CUTTER PRESS DOWN TOOL #F928
STYLUS PRO 4000	1418585	NON FIG	Ersetzt durch: 1474280
STYLUS PRO 4000	1458436	NON FIG	Ersetzt durch: 1477474
STYLUS PRO 4000	1400024	NON FIG	FFC CHECKING TOOL #F909
STYLUS PRO 4000	1294672	NON FIG	HEAD EXCHANGE SUPPORT TOOL
STYLUS PRO 4000	1103969	NON FIG	I/C WITHIN INDIVIDUAL BOX,OVERSEAS,BK,P,
STYLUS PRO 4000	1103970	NON FIG	I/C WITHIN INDIVIDUAL BOX,OVERSEAS,C,P,8
STYLUS PRO 4000	1103973	NON FIG	I/C WITHIN INDIVIDUAL BOX,OVERSEAS,LC,P,
STYLUS PRO 4000	1103975	NON FIG	I/C WITHIN INDIVIDUAL BOX,OVERSEAS,LIGHT
STYLUS PRO 4000	1103974	NON FIG	I/C WITHIN INDIVIDUAL BOX,OVERSEAS,LM,P,
STYLUS PRO 4000	1103971	NON FIG	I/C WITHIN INDIVIDUAL BOX,OVERSEAS,M,P,8
STYLUS PRO 4000	1103976	NON FIG	I/C WITHIN INDIVIDUAL BOX,OVERSEAS,MATTE
STYLUS PRO 4000	1103972	NON FIG	I/C WITHIN INDIVIDUAL BOX,OVERSEAS,Y,P,8
STYLUS PRO 4000	1400028	NON FIG	KEEP STAND CR SHAFT HEIGHT TOOL #F919
STYLUS PRO 4000	1401949	NON FIG	KEEP STAND FOR CUTTER PLATE&PLATEN
STYLUS PRO 4000	1282354	NON FIG	MULTI SENSOR POSITION TOOL
STYLUS PRO 4000	1400025	NON FIG	P-COVER OPEN SENSOR CLOSE TOOL #F908
STYLUS PRO 4000	1282355	NON FIG	PAPER THICKNESS POSITION TOOL
STYLUS PRO 4000	1400040	NON FIG	PF ROLLER HEIGHT ADJ.TOOL #F918
STYLUS PRO 4000	1400029	NON FIG	PG BELT TENSION SUPPORT TOOL #F920
STYLUS PRO 4000	1400031	NON FIG	PG BELT TENSION WEIGHT #F922
STYLUS PRO 4000	1400030	NON FIG	PG GUAR POSITION ADJ.TOOL
STYLUS PRO 4000	1400037	NON FIG	PLATEN HEIGHT ADJUSTMENT TOOL #F915
STYLUS PRO 4000	1401453	NON FIG	PLATEN RUBBER SETTING TOOL
STYLUS PRO 4000	1401457	NON FIG	PRESS TOOL FOR CUTTER PLATE
STYLUS PRO 4000	1401952	NON FIG	TENSION GAUGE(10N)
STYLUS PRO 4000	1401951	NON FIG	TENSION GAUGE(5N,STD)
STYLUS PRO 4000	1401953	NON FIG	THICKNESS GAUGE t=0.1mm

Model	Article	Reference	Description
STYLUS PRO 4000	1400027	NON FIG	THICKNESS GAUGE T=0.65 #F912
STYLUS PRO 4000	1400026	NON FIG	THICKNESS GAUGE T=0.75 #F911
STYLUS PRO 4000	1401954	NON FIG	TORQUE SCREWDRIVER(4~12KG)
STYLUS PRO 4000	2036463	Q20	TRANSISTOR BL
STYLUS PRO 4000	2046570	QF2	N-CH FET TP,60V,2A,500MW
STYLUS PRO 4000	2080819	QF7	P-CH FET TP,60V,1A,0.5W