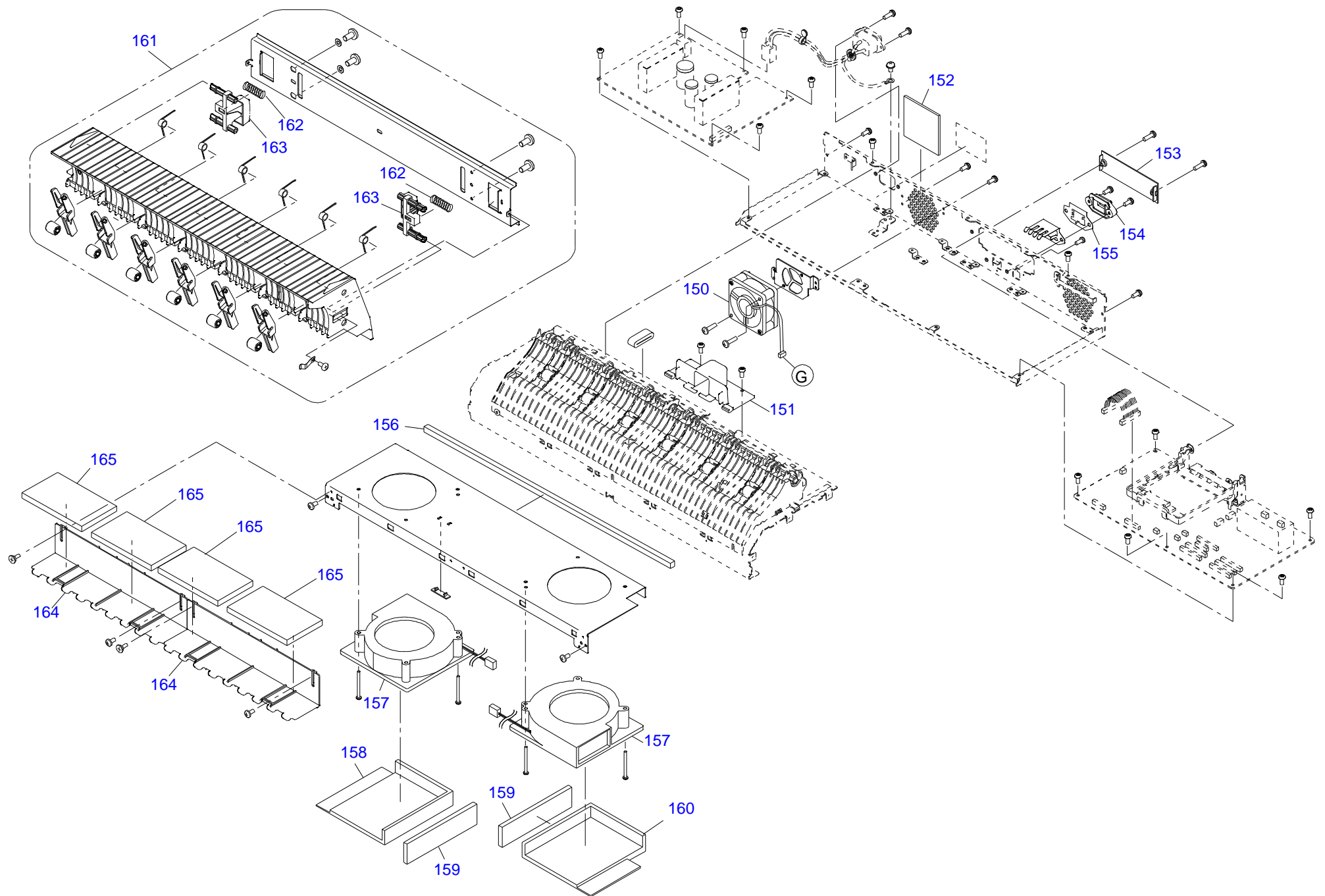
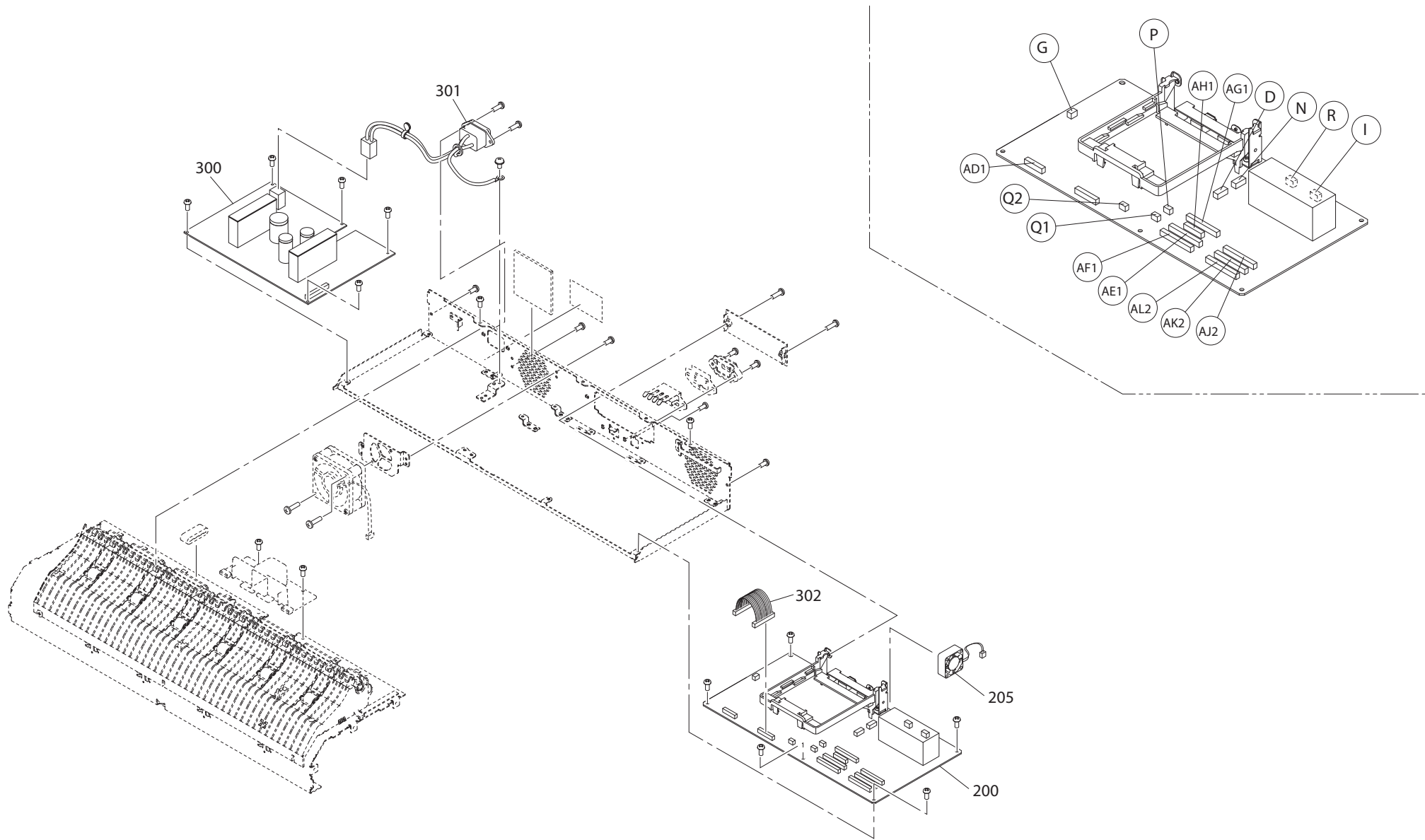


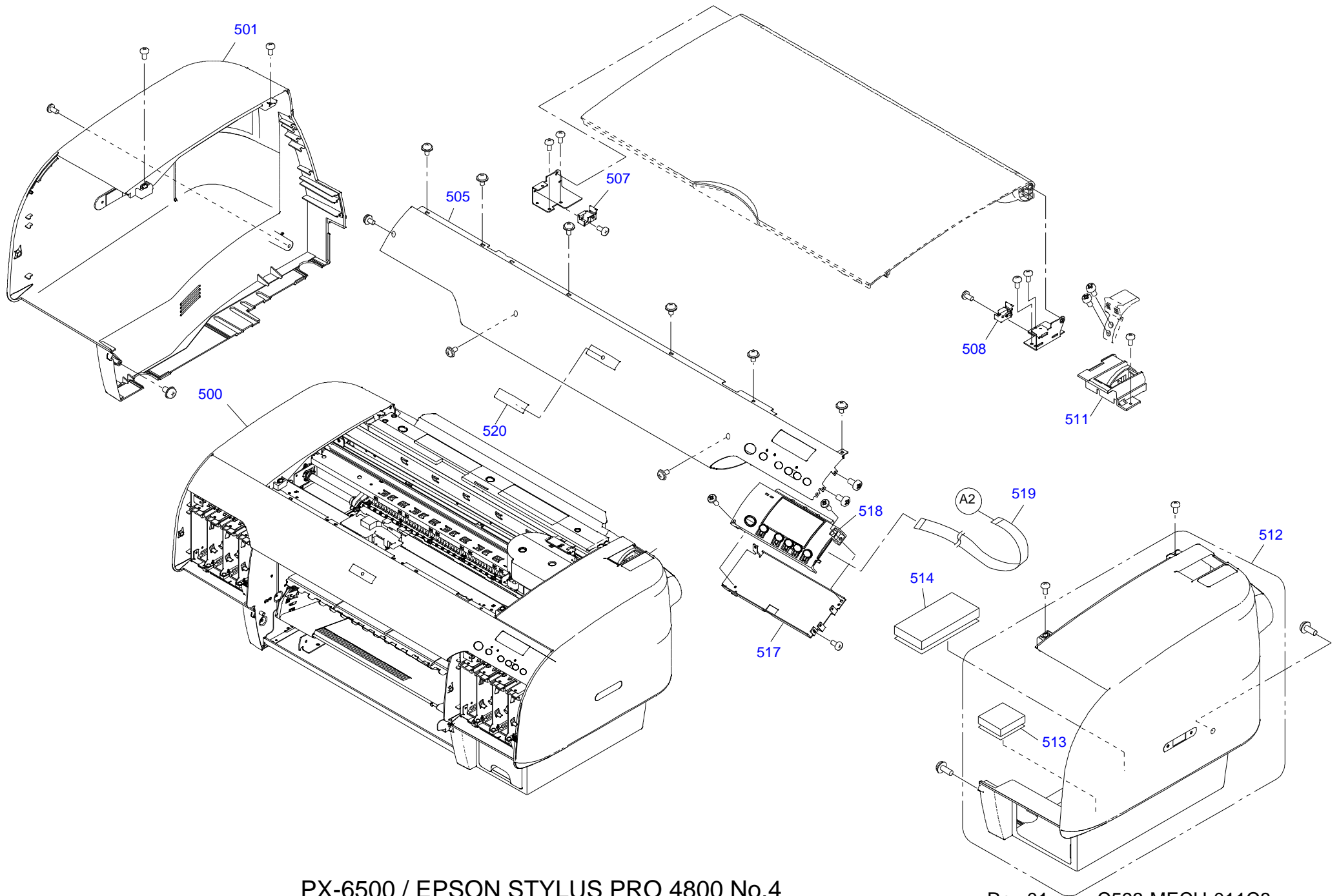
EPSON STYLUS PRO 4800 No.1

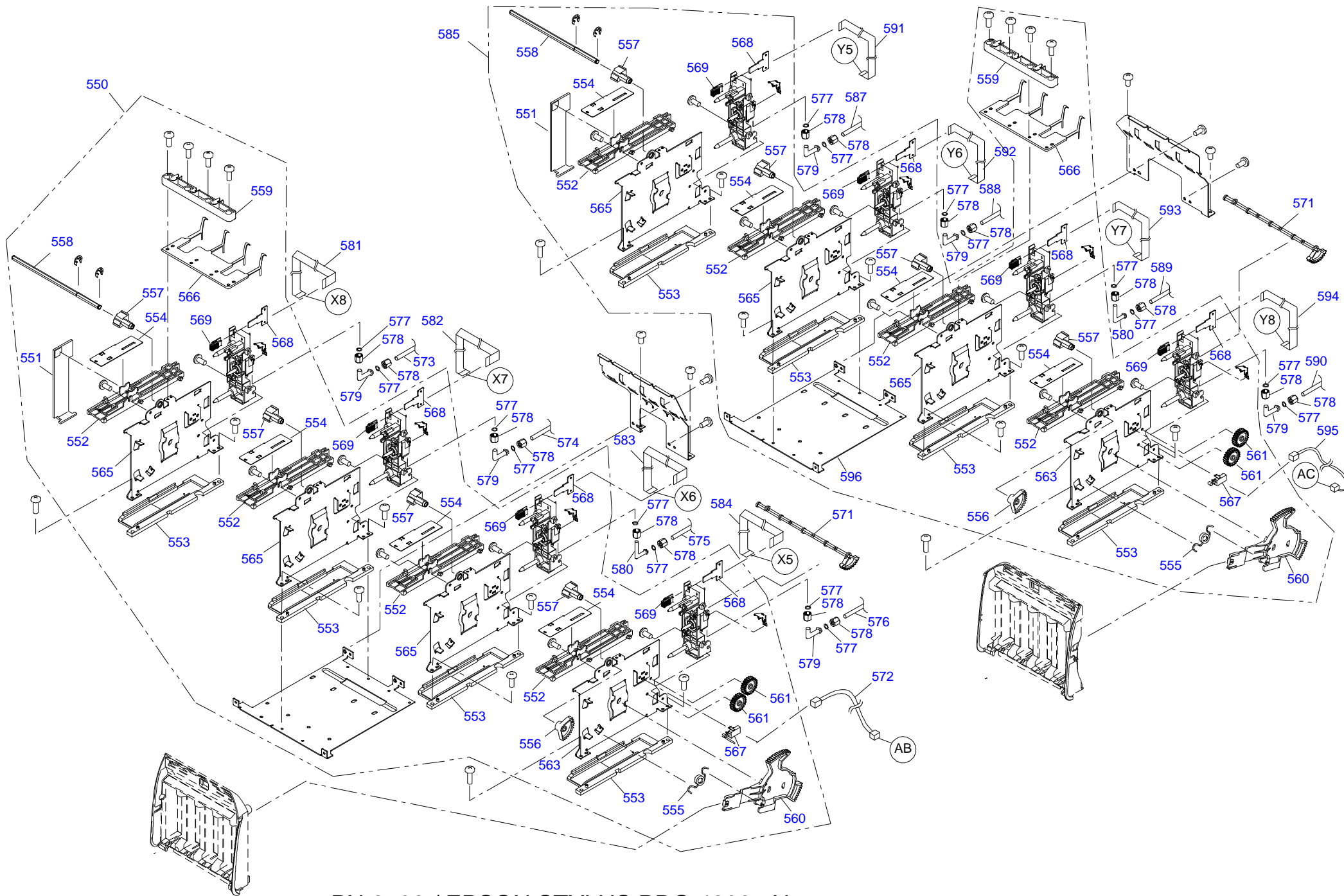
Rev.03

C593-CASE-013C8





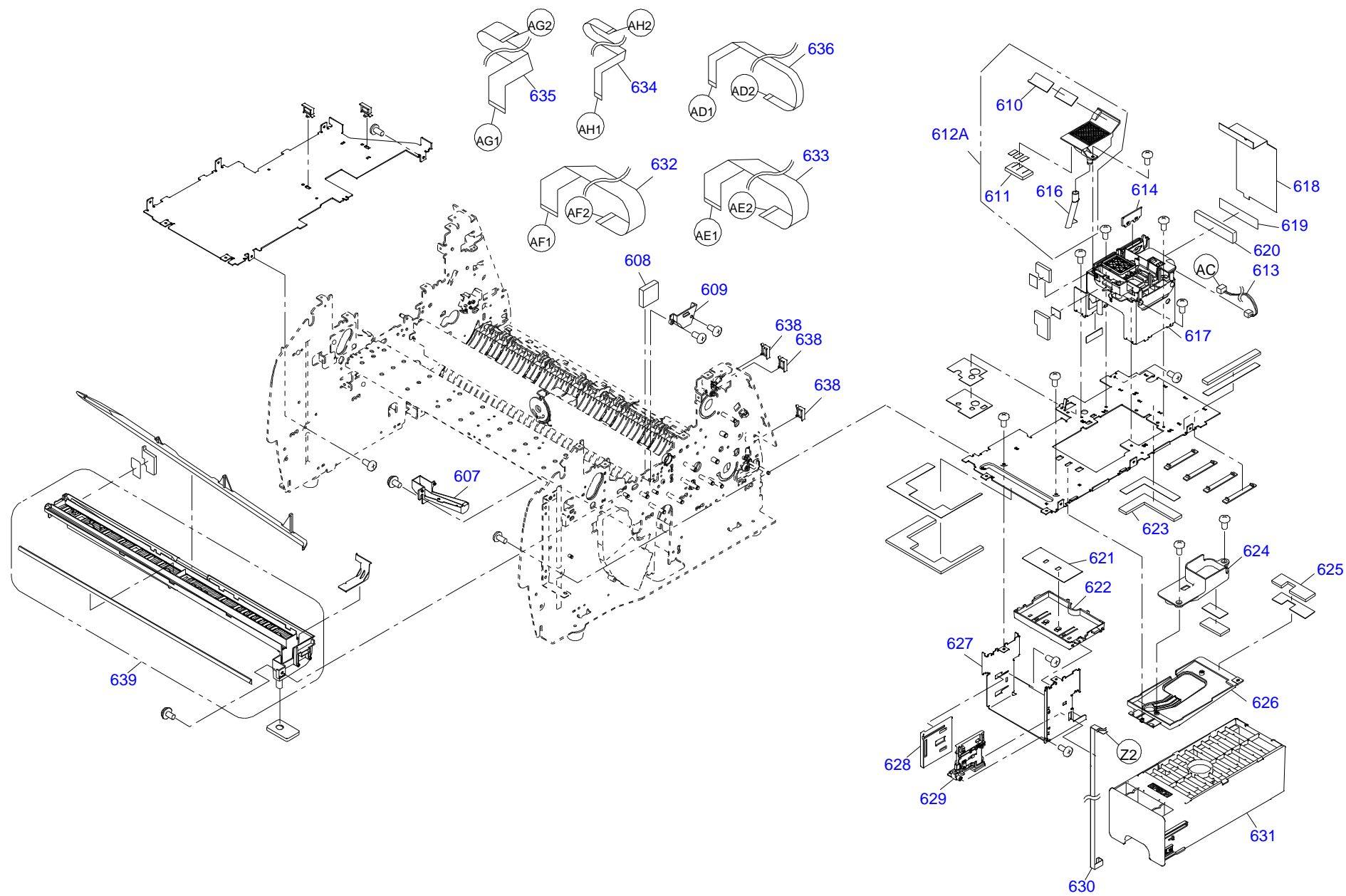


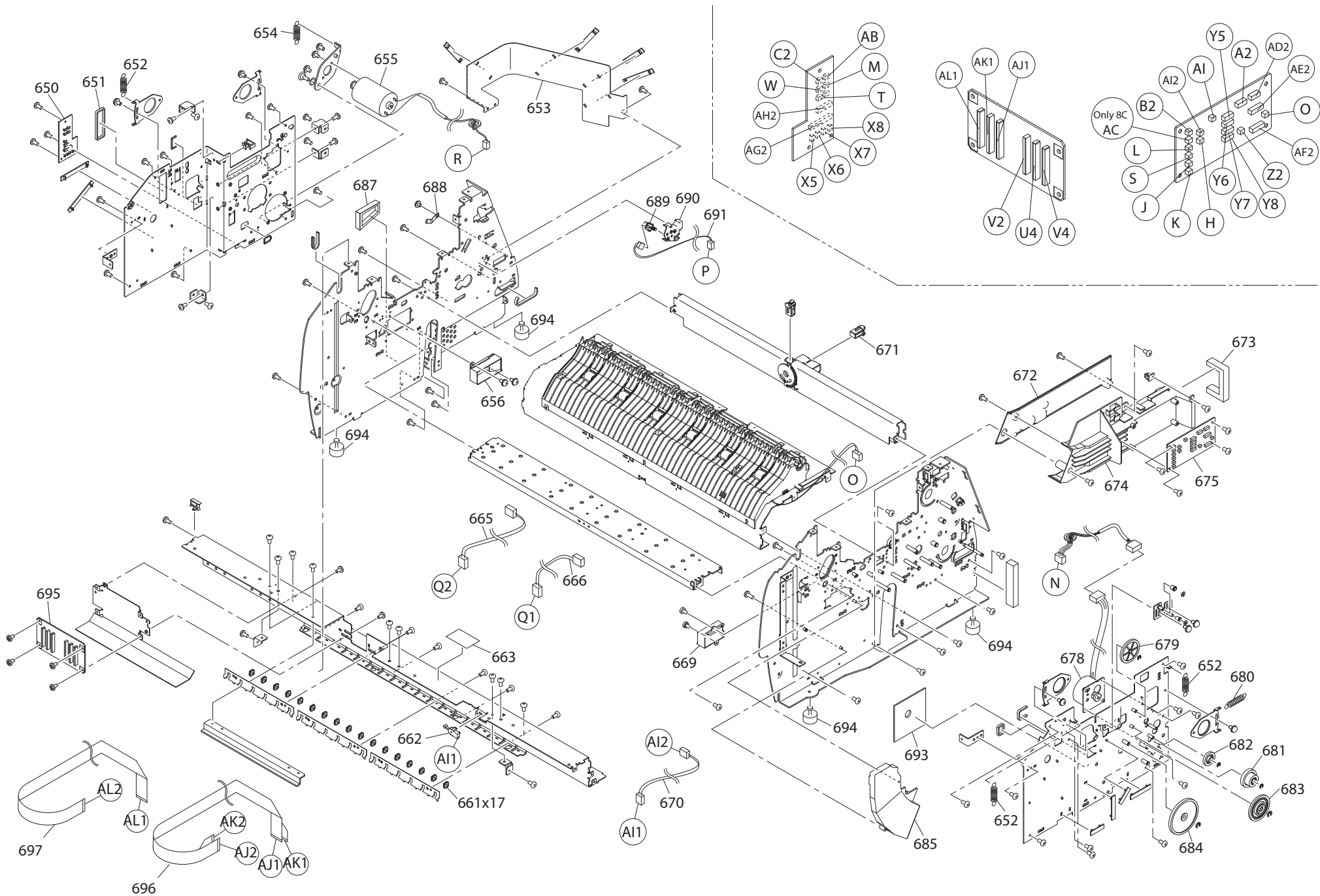


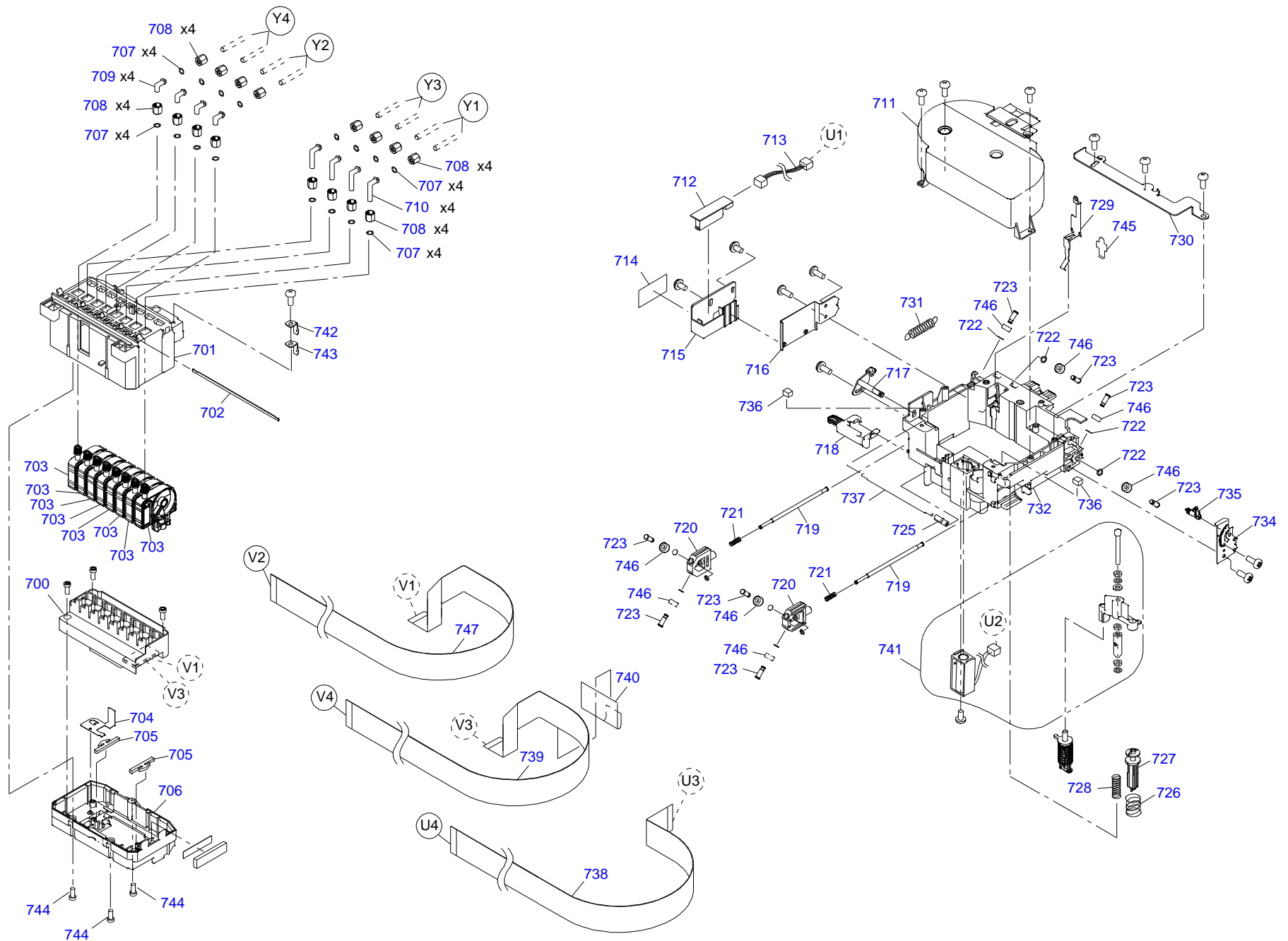
PX-6500 / EPSON STYLUS PRO 4800 No.5

Rev.02

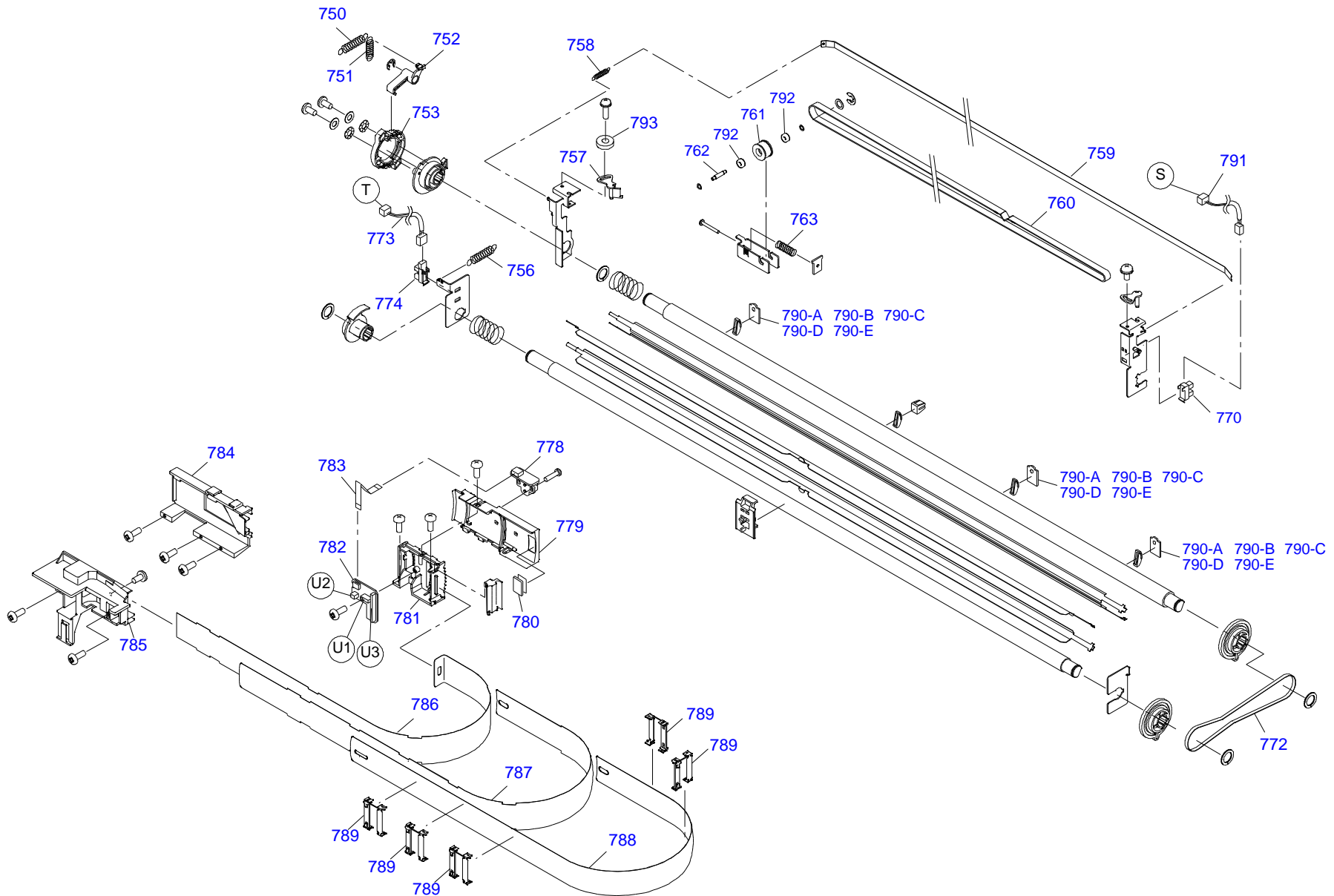
C593-MECH-022C8

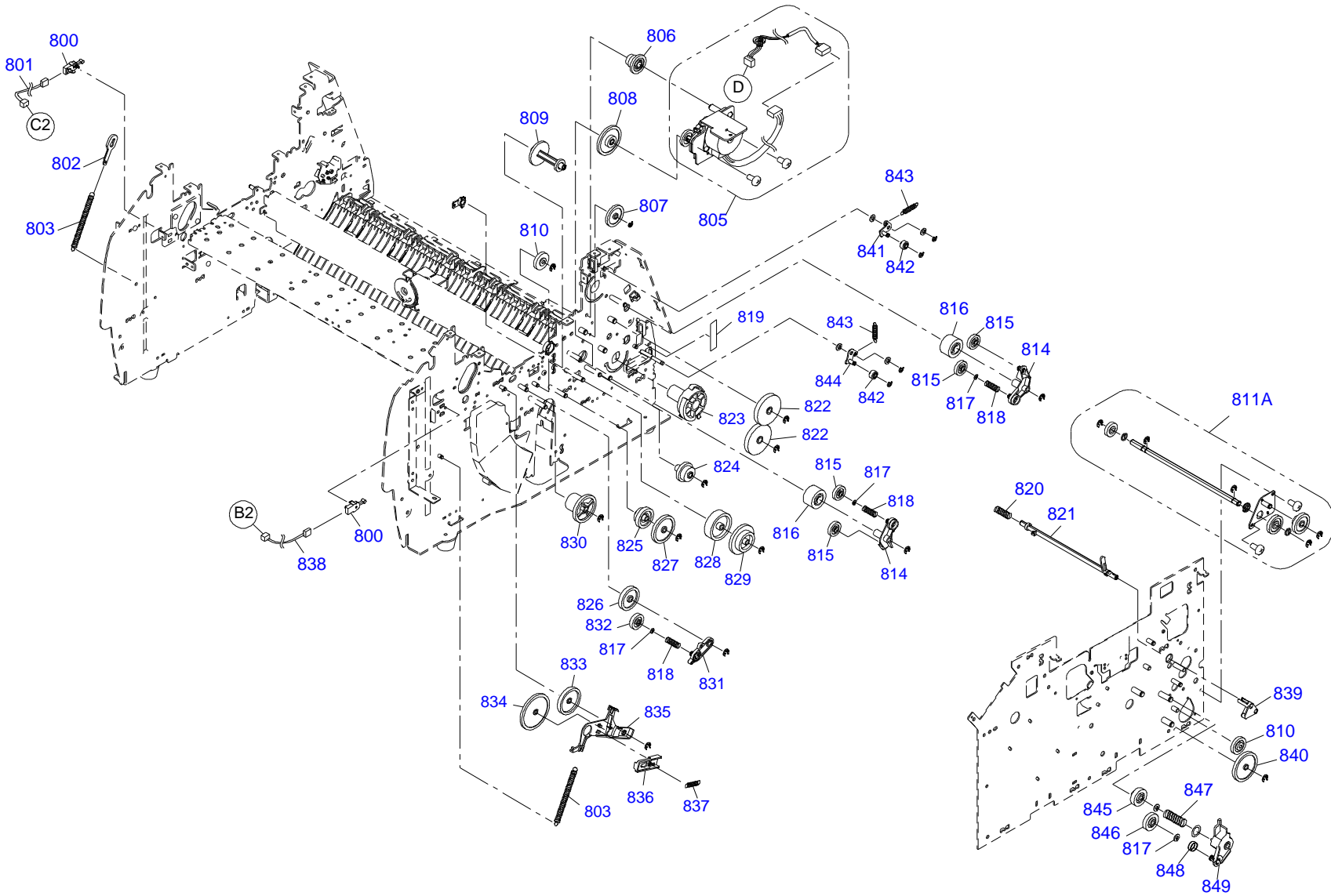


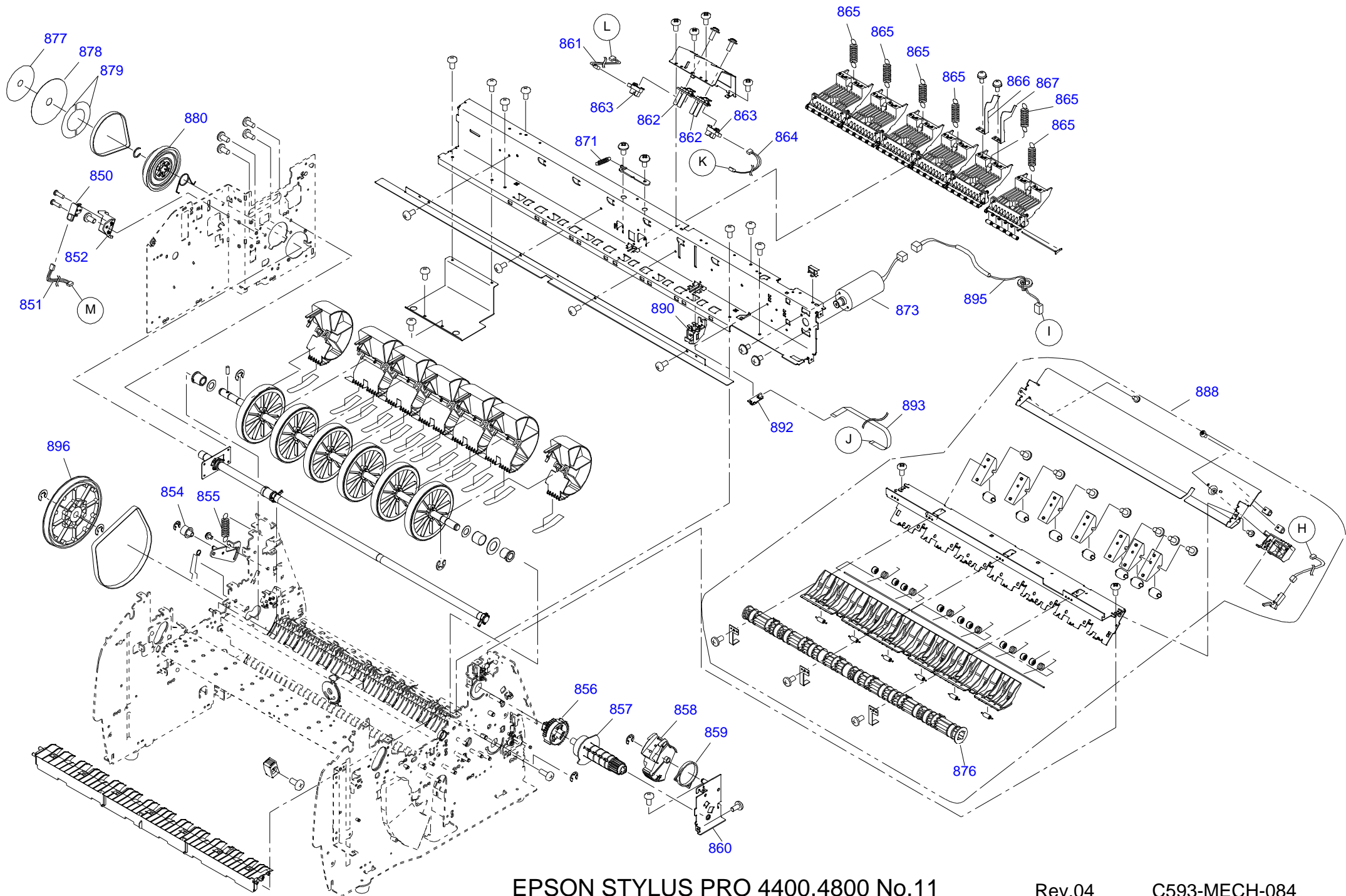


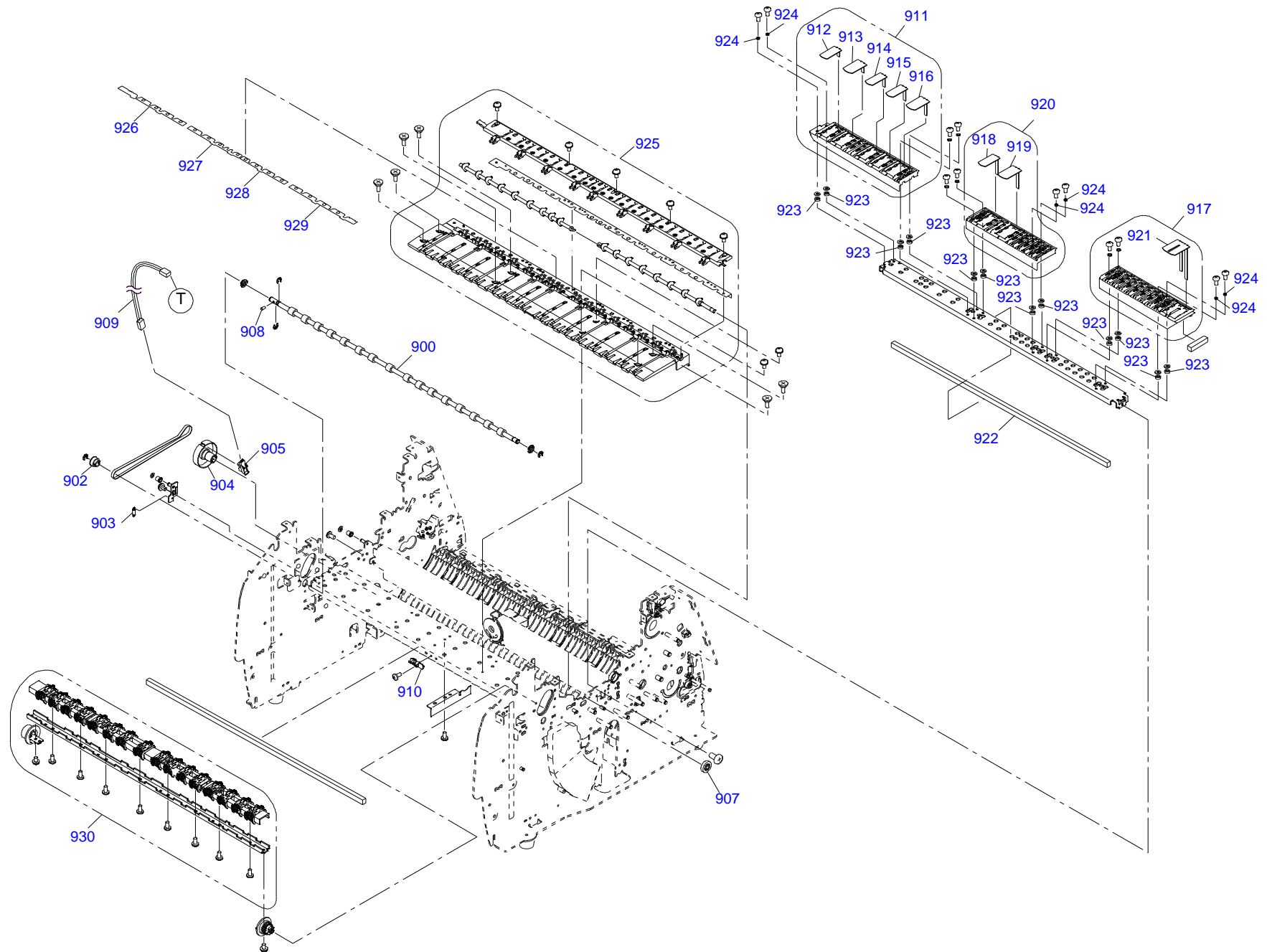


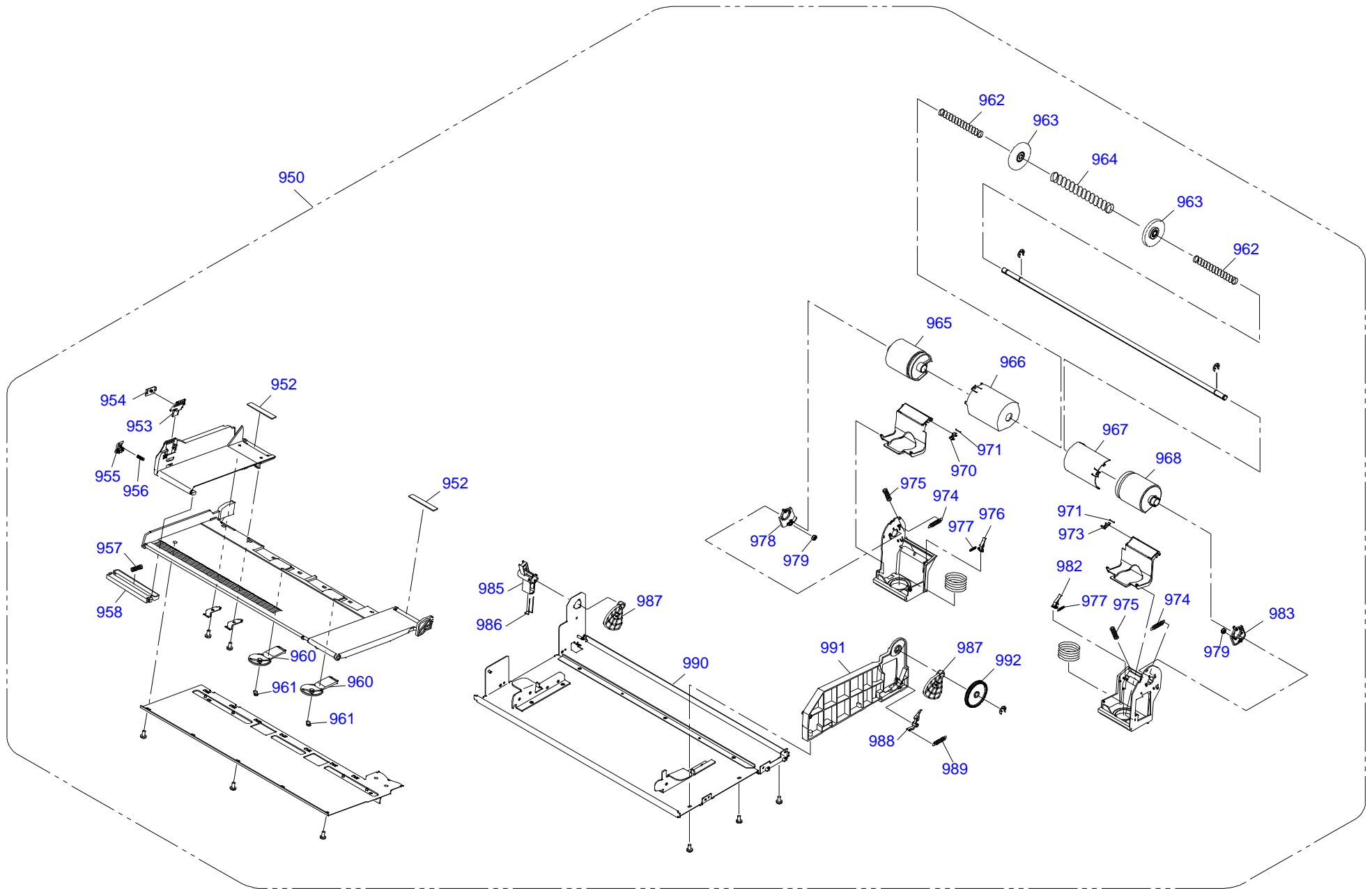


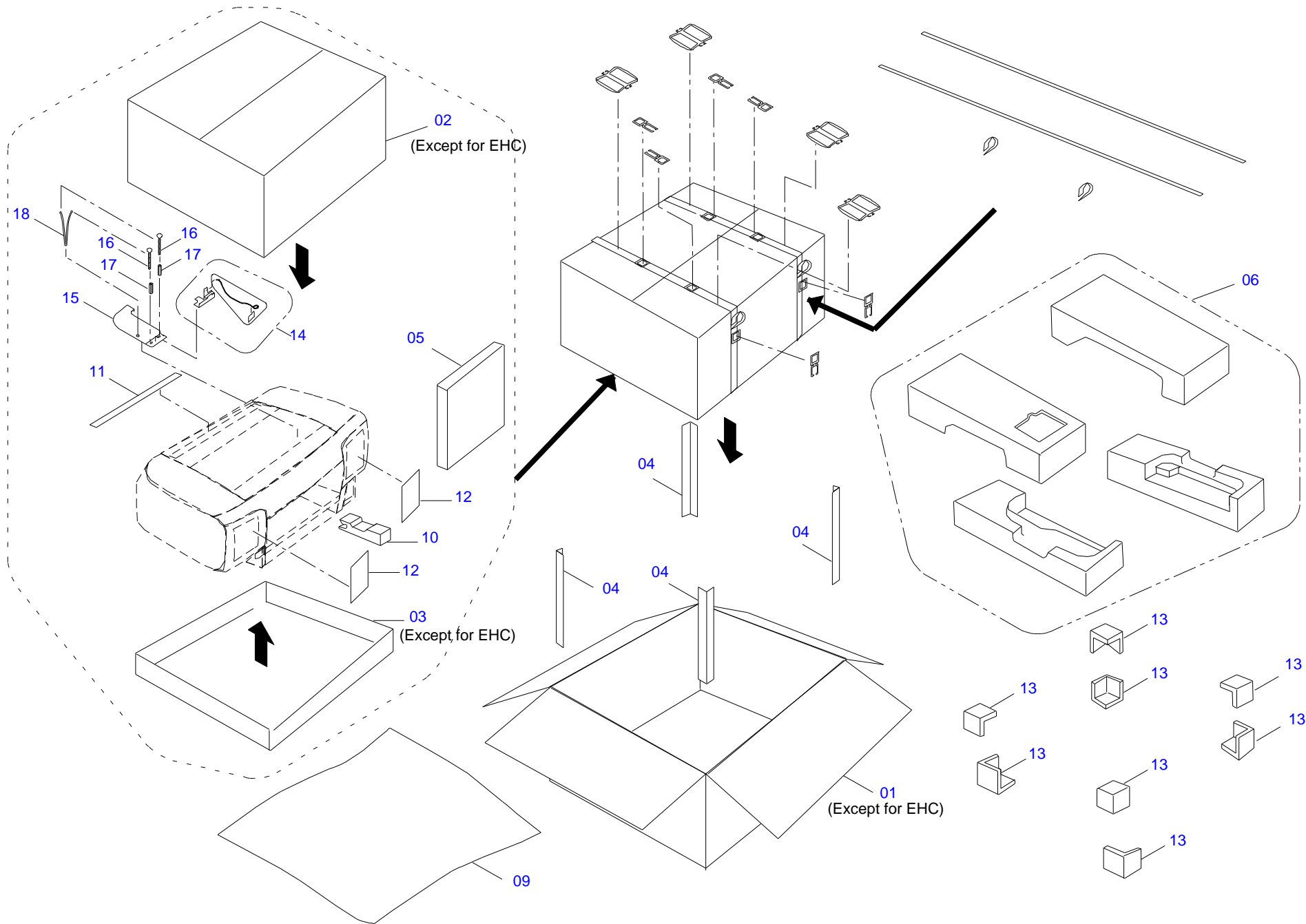












Model	Article	Reference	Description
STYLUS PRO 4800	1411496	100	HOLDER,ROLL ASSY.,C593,ESL,ASP
STYLUS PRO 4800	1440015	101	HOLDER ASSY.,ROLL,L,ESL,ASP
STYLUS PRO 4800	1440014	102	HOLDER ASSY.,ROLL,R,ESL,ASP
STYLUS PRO 4800	1104332	103	ADAPTER
STYLUS PRO 4800	1104330	104	FLANGE,RIGHT
STYLUS PRO 4800	1104331	105	FLANGE,LEFT
STYLUS PRO 4800	1263652	106	SCROLLER,SAB ASSY.
STYLUS PRO 4800	1220015	107	SHAFT,STOPPER,L
STYLUS PRO 4800	1264207	108	MAKEUP SCREW
STYLUS PRO 4800	1411500	109	STACKER ASSEMBLY,C593,B,ESL,ASP
STYLUS PRO 4800	1540124	110	STACKER,D
STYLUS PRO 4800	1540123	111	GUIDE,STACKER,B
STYLUS PRO 4800	1540122	112	STACKER,SUPPORT,B
STYLUS PRO 4800	1411499	113	TRAY ASSEMBLY,C593,B,ESL,ASP
STYLUS PRO 4800	1400783	114	LABEL,MODEL NAME,B
STYLUS PRO 4800	1400767	115	LABEL,ULTRA CHROME INK,K3
STYLUS PRO 4800	1400868	117	LABEL,ASF SET
STYLUS PRO 4800	1104833	118	LABEL,ROLLPAPER SET,2/3 INCH
STYLUS PRO 4800	1408012	119	LABEL,INK COLOR,LEFT,B
STYLUS PRO 4800	1305014	120	COVER,PRINTER,593
STYLUS PRO 4800	1299011	121	COVER,I/H,LEFT,8C
STYLUS PRO 4800	1299015	122	GUIDE,I/H,LEFT,8C
STYLUS PRO 4800	1400729	123	LABEL,CHOKE CLEANING
STYLUS PRO 4800	1400870	124	LABEL,PAPER LEVER SET UP
STYLUS PRO 4800	1402658	126	LABEL,ROLL PAPER SET,B
STYLUS PRO 4800	1249443	127	LABEL,PAPER JAMMING REMOVAL
STYLUS PRO 4800	1305017	128	COVER,REAR,C593
STYLUS PRO 4800	1305026	129	KNOB,RELEASE,LEVER,C593
STYLUS PRO 4800	1305019	130	KNOB,I/C,LOCK LEVER,C593
STYLUS PRO 4800	1400736	131	LABEL,CAUTION,TRANSPORT
STYLUS PRO 4800	1299013	132	GUIDE,I/H,RIGHT,8C
STYLUS PRO 4800	1400852	133	LABEL,INK COLOR,RIGHT
STYLUS PRO 4800	1299007	134	COVER,I/H,RIGHT,8C
STYLUS PRO 4800	1043027	136	MIN SIDE LOCK#091Y
STYLUS PRO 4800	2100126	150	FAN MOTOR,FRAME,SHIELD, DC
STYLUS PRO 4800	1299523	151	COVER,HARNESS,B
STYLUS PRO 4800	1269616	152	FILTER,FAN ASSY.
STYLUS PRO 4800	1055583	153	COVER,CONECTER,UPPER,B
STYLUS PRO 4800	1232657	154	COVER,I/F
STYLUS PRO 4800	1401655	155	GROUND PLATE,IF
STYLUS PRO 4800	1219904	156	PAD,AIR SEAL,D
STYLUS PRO 4800	2103408	157	FAN,BLOWER,C593
STYLUS PRO 4800	1273730	158	COVER,FAN,LEFT
STYLUS PRO 4800	1273728	159	PAD,FAN
STYLUS PRO 4800	1273729	160	COVER,FAN,RIGHT
STYLUS PRO 4800	1411497	161	PAPER GUIDE,MIDDLE ASSY.,C593,ESL,ASP
STYLUS PRO 4800	1230533	162	COMPRESSION SPRING,3.47
STYLUS PRO 4800	1306274	163	LEVER,LOCK,PAPER GUIDE,MIDDLE,C593
STYLUS PRO 4800	1219923	164	PAPER GUIDE,PAPER EJECT,STACK
STYLUS PRO 4800	1259969	165	SHEET,PAPER GUIDE,PAPER EJECT,STACK
STYLUS PRO 4800	2116519	200	BOARD ASSY.,MAIN, 6092C,ASP STANDARD(8 colors)
STYLUS PRO 4800	2102706	205	FAN SET. DC (PROPELLER TYPE)

Model	Article	Reference	Description
STYLUS PRO 4800	2091981	300	POWER SUPPLY UNIT
STYLUS PRO 4800	2091965	301	HARNESS AC INRET(3PIN)
STYLUS PRO 4800	2091966	302	HARNESS
STYLUS PRO 4800	2113366	500	PRINTER MECHANISM,M-AB61-100,ESL,ASP
STYLUS PRO 4800	1411502	501	COVER ASSY.,SIDE,L,C593,ESL,ASP
STYLUS PRO 4800	1305765	505	PANEL,FRONT,8C
STYLUS PRO 4800	1246018	507	STOPPER,COVER PRINTER,LEFT
STYLUS PRO 4800	1246017	508	STOPPER,COVER PRINTER,RIGHT
STYLUS PRO 4800	1305018	511	COVER,INSIDE,RELEASE,LEVER,C593
STYLUS PRO 4800	1411501	512	COVER ASSY.,SIDE,R.C593,ESL,ASP
STYLUS PRO 4800	1553931	513	POROUS PAD,HOLDER,INK EJECT,B
STYLUS PRO 4800	1553932	514	POROUS PAD,INK EJECT,SUB,B
STYLUS PRO 4800	1219993	517	FRAME,PANEL,UNDER,RIGHT
STYLUS PRO 4800	2080893	518	CONTROL,PANEL
STYLUS PRO 4800	2080201	519	HARNESS,PANEL
STYLUS PRO 4800	1305008	520	LOGO PLATE,13X54,G
STYLUS PRO 4800	1469601	550	HOLDER ASSY.,IC,LEFT,ESL,ASP,F
STYLUS PRO 4800	1091087	551	MOUNTING PLATE,HOLDER,IC,L
STYLUS PRO 4800	1091090	552	FRAME,HOLDER,IC,UPPER
STYLUS PRO 4800	1091091	553	FRAME,HOLDER,IC,LOWER
STYLUS PRO 4800	1091094	554	PRESSING PLATE,IC
STYLUS PRO 4800	1091096	555	TORSION SPRING,158.6
STYLUS PRO 4800	1091098	556	FAN GEAR,34
STYLUS PRO 4800	1091099	557	CAM,IC,FIXING
STYLUS PRO 4800	1219632	558	SHAFT,LOCK,IC
STYLUS PRO 4800	1219633	559	FRAME,I/S, TOP
STYLUS PRO 4800	1219661	560	LEVER,IC,OPERATE 0.0
STYLUS PRO 4800	1219663	561	SPUR GEAR,22
STYLUS PRO 4800	1230884	563	MOUNTING PLATE ASSY.,HOLDER,IC,R
STYLUS PRO 4800	1259967	565	MOUNTING PLATE,HOLDER,IC,R
STYLUS PRO 4800	1264224	566	GROUND PLATE,IH
STYLUS PRO 4800	2020393	567	DETECTOR,LEAF,B2
STYLUS PRO 4800	2060507	568	BOARD ASSY.,IC
STYLUS PRO 4800	2060220	569	CONNECTOR,CARTRIDGE,A
STYLUS PRO 4800	1505546	571	CAM,VALVE,B
STYLUS PRO 4800	2078939	572	HARNESS,I/S,L
STYLUS PRO 4800	1249365	573	TUBE,SUPPLY,INK,MB
STYLUS PRO 4800	1249360	574	TUBE,SUPPLY,INK,C
STYLUS PRO 4800	1249361	575	TUBE,SUPPLY,INK,M
STYLUS PRO 4800	1249364	576	TUBE,SUPPLY,INK,Y
STYLUS PRO 4800	1056164	577	Ersetzt durch: 1614680
STYLUS PRO 4800	1614680	577	ORING,CONECTOR M7
STYLUS PRO 4800	1091107	578	CONNECTING SCREW,M7
STYLUS PRO 4800	1235237	579	JOINT,3
STYLUS PRO 4800	1249356	580	JOINT,3,L
STYLUS PRO 4800	2082704	581	HARNESS,CSIC,MB
STYLUS PRO 4800	2082705	582	HARNESS,CSIC,C
STYLUS PRO 4800	2082706	583	HARNESS,CSIC,M
STYLUS PRO 4800	2082707	584	HARNESS,CSIC,Y
STYLUS PRO 4800	1469602	585	HOLDER ASSY.,IC,RIGHT,ESL,ASP,D
STYLUS PRO 4800	1299894	587	TUBE,SUPPLY,INK,LLK
STYLUS PRO 4800	1249362	588	TUBE,SUPPLY,INK,LC



Model	Article	Reference	Description
STYLUS PRO 4800	1249363	589	TUBE,SUPPLY,INK,LM
STYLUS PRO 4800	1299893	590	TUBE,SUPPLY,INK,ALK
STYLUS PRO 4800	2082708	591	HARNESS,CSIC,BK
STYLUS PRO 4800	2082709	592	HARNESS,CSIC,LC
STYLUS PRO 4800	2082710	593	HARNESS,CSIC,LM
STYLUS PRO 4800	2082711	594	HARNESS,CSIC,LK
STYLUS PRO 4800	2078951	595	HARNESS,I/S,R
STYLUS PRO 4800	1249371	596	MOUNT PLATE,BASE,IH,RIGHT
STYLUS PRO 4800	1442067	607	GUTTER ASSY.,INK EJECT,ESL,ASP
STYLUS PRO 4800	1264116	608	SPACER,FRAME,PAPER GUIDE,FRONT
STYLUS PRO 4800	1262677	609	INDUCTION DUCT
STYLUS PRO 4800	1270335	610	POROUS PAD,BOX,FL,UPPER
STYLUS PRO 4800	1270047	611	POROUS PAD,BOX,FL,LOWER
STYLUS PRO 4800	1408200	612A	BOX ASSY.,FLUSHING ASSY.,ESL ASP
STYLUS PRO 4800	2082701	613	HARNESS,PUMP,PHASE DETECTION
STYLUS PRO 4800	1407807	614	CLEANER,HEAD,A,ASP
STYLUS PRO 4800	1264516	616	JOINT,BOX,FLUSHING
STYLUS PRO 4800	1408199	617	PUMP CAP ASSY. ESL,ASP
STYLUS PRO 4800	1270025	618	SHEET,INK,STOPPER,C
STYLUS PRO 4800	1276759	619	TAPE,INK,STOPPER,C
STYLUS PRO 4800	1553933	620	POROUS PAD,INK,STOPPER,C,B
STYLUS PRO 4800	1220013	621	LEAF SPRING,LOCK
STYLUS PRO 4800	1219997	622	GUIDE RAIL,INK EJECT BOX,UPPER
STYLUS PRO 4800	1556159	623	POROUS PAD,GUIDE,INK EJECT,B,B
STYLUS PRO 4800	1234019	624	GUIDE,INK EJECT,B
STYLUS PRO 4800	1556158	625	POROUS PAD,GUIDE,INK EJECT,A,B
STYLUS PRO 4800	1234018	626	GUIDE,INK EJECT,A
STYLUS PRO 4800	1220006	627	BRACKET,INK EJECT BOX
STYLUS PRO 4800	1219992	628	GUIDE RAIL,INK EJECT BOX,LEFT
STYLUS PRO 4800	1408203	629	HOLDER ASSY.,BOARD,INK EJECT,ESL ASP
STYLUS PRO 4800	2080880	630	HARNESS,CSIC,MT
STYLUS PRO 4800	1554898	631	POROUS PAD ASSY.,INK EJECT,PXMT2,B,ASP
STYLUS PRO 4800	2091558	632	HARNESS,R1,C593
STYLUS PRO 4800	2091559	633	HARNESS,R2,C593
STYLUS PRO 4800	2091556	634	HARNESS,L1,C593
STYLUS PRO 4800	2091557	635	HARNESS,L2,C593
STYLUS PRO 4800	2091560	636	HARNESS,PANEL,INTERMIT,C593
STYLUS PRO 4800	1250214	638	RECYCL CLAMP
STYLUS PRO 4800	1411491	639	GUTTER,INK ASSY.C593,ESL,ASP
STYLUS PRO 4800	2129963	650	BOARD ASSY.,SUB, 6094B,ASP STANDARD
STYLUS PRO 4800	1219871	651	DUCT,AIR,E
STYLUS PRO 4800	1230520	652	EXTENSION SPRING,2.55
STYLUS PRO 4800	1249354	653	GUIDE,FFC
STYLUS PRO 4800	1230530	654	EXTENSION SPRING,13.05
STYLUS PRO 4800	2091572	655	MOTOR ASSY.,PF,C593, 21.84W,DC
STYLUS PRO 4800	1219869	656	DUCT,AIR,D
STYLUS PRO 4800	1219926	661	ROLLER,PAPER GUIDE
STYLUS PRO 4800	1400748	663	LABEL,CUTTER CHANGE
STYLUS PRO 4800	2091566	665	HARNESS,FAN,A,C593
STYLUS PRO 4800	2091567	666	HARNESS,FAN,B,C593
STYLUS PRO 4800	1219868	669	DUCT,AIR,A
STYLUS PRO 4800	2078977	670	HARNESS,COVER OPEN

Model	Article	Reference	Description
STYLUS PRO 4800	1269667	671	LEVER,ROLLER,SUB
STYLUS PRO 4800	1270018	672	COVER,DUCT,C
STYLUS PRO 4800	1270044	673	PAD,DUCT,RIGHT LOWER
STYLUS PRO 4800	1219867	674	DUCT,AIR,C
STYLUS PRO 4800	2135218	675	BOARD ASSY.,SUB, 5922B,ASP STANDARD
STYLUS PRO 4800	2100128	678	MOTOR ASSY.,PG, DC
STYLUS PRO 4800	1219759	679	SPUR GEAR,36
STYLUS PRO 4800	1230523	680	EXTENSION SPRING,11.4
STYLUS PRO 4800	1249388	681	COMBINATION GEAR,13.6,20.8
STYLUS PRO 4800	1219767	682	SPUR GEAR,16
STYLUS PRO 4800	1219760	683	COMBINATION GEAR,40,20
STYLUS PRO 4800	1219758	684	COMBINATION GEAR,56,8.8
STYLUS PRO 4800	1219870	685	DUCT,AIR,B
STYLUS PRO 4800	1270020	687	PAD,DUCT,E
STYLUS PRO 4800	1264223	688	GROUND SPRING,PAPER GUIDE,MIDDLE,LEFT
STYLUS PRO 4800	1265567	690	COVER,DETECTOR,PAPER GUIDE,MIDDLE
STYLUS PRO 4800	2091571	691	HARNESS,DETECTOR,PAPER GUIDE CENTER,C593
STYLUS PRO 4800	1276760	693	POROUS PAD,FRAME,SUB,RIGHT
STYLUS PRO 4800	1273504	694	CASE FEET,CP-30-FF-4A,BLACK
STYLUS PRO 4800	2129964	695	BOARD ASSY.,SUB, 6095B,ASP STANDARD
STYLUS PRO 4800	2091563	696	HARNESS,HEAD,A
STYLUS PRO 4800	2091561	697	HARNESS,HEAD,INTERMIT,A
STYLUS PRO 4800	F160010	700	PRINT HEAD, 1440
STYLUS PRO 4800	1290785	701	CARRIAGE,B,B
STYLUS PRO 4800	1219751	702	PLATE,DAMPER
STYLUS PRO 4800	1419222	703	VALVE ASSY.,HEAD,C,ESL,ASP
STYLUS PRO 4800	1287667	704	GROUND PLATE,A,B
STYLUS PRO 4800	1264620	705	POROUS PAD,CR
STYLUS PRO 4800	1298921	706	CARRIAGE,C,C593
STYLUS PRO 4800	1540151	711	COVER,CR,C
STYLUS PRO 4800	2080204	712	BOARD ASSY.,MULTISENSOR
STYLUS PRO 4800	2078962	713	HARNESS,MULTISENSOR
STYLUS PRO 4800	1261387	714	LABEL,CUT POSITION
STYLUS PRO 4800	1219716	715	HOLDER,MULTISENSOR
STYLUS PRO 4800	1300413	716	PLATE,BEARING,R,B
STYLUS PRO 4800	1219748	717	CAM,INCLINATION,R
STYLUS PRO 4800	1400962	718	LEVER,FASTEN,FOR TRANSFER,B
STYLUS PRO 4800	1219709	719	SHAFT,CONNECTION
STYLUS PRO 4800	1219711	720	HOLDER,BEARING
STYLUS PRO 4800	1272861	721	COMPRESSION SPRING,27.8
STYLUS PRO 4800	1260145	722	POLY SLIDER,STW-FT40,t=0.25
STYLUS PRO 4800	1219708	723	SHAFT,BEARING
STYLUS PRO 4800	1219747	725	CAM,INCLINATION,L
STYLUS PRO 4800	1230518	726	COMPRESSION SPRING,0.191
STYLUS PRO 4800	1219730	727	SLIDER,CR LOCK
STYLUS PRO 4800	1230517	728	COMPRESSION SPRING,0.52
STYLUS PRO 4800	1287668	729	GROUND PLATE,B,B
STYLUS PRO 4800	1219712	730	LEVER,INCLINATION
STYLUS PRO 4800	1230515	731	EXTENSION SPRING,3.81
STYLUS PRO 4800	1290784	732	CARRIAGE,A,B
STYLUS PRO 4800	1298928	734	PLATE,BEARING,L,C593
STYLUS PRO 4800	1298927	735	LEVER,CAM,C593

Model	Article	Reference	Description
STYLUS PRO 4800	1274133	736	STOPPER,CARRIAGE
STYLUS PRO 4800	1219739	737	SHAFT,INCLINATION CAM
STYLUS PRO 4800	2091562	738	HARNESS,HEAD,INTERMIT,B
STYLUS PRO 4800	2091565	739	HARNESS,HEAD,C
STYLUS PRO 4800	1276768	740	SHEET,FFC
STYLUS PRO 4800	1411503	741	SOLENOID ASSY.,CR,C593,ESL,ASP
STYLUS PRO 4800	1290562	742	ADJUST PLATE,CR,UPPER
STYLUS PRO 4800	1290563	743	ADJUST PLATE,CR,LOWER
STYLUS PRO 4800	1284487	744	C.P.P-TITE SCREW,2.6X8,F/ZN-3C
STYLUS PRO 4800	1278341	745	SPACER,CARREAGE A
STYLUS PRO 4800	1501343	746	BALL BEARING,DDL940
STYLUS PRO 4800	2091564	747	HARNESS,HEAD,B
STYLUS PRO 4800	1219777	752	LEVER,LOCK,PG
STYLUS PRO 4800	1306183	753	BUSHING,LOCK,B
STYLUS PRO 4800	1234017	756	EXTENSION SPRING,2.58
STYLUS PRO 4800	1219741	757	LEVER,SCALE,CR
STYLUS PRO 4800	1230519	758	EXTENSION SPRING,3.86
STYLUS PRO 4800	1518670	759	SCALE,CR
STYLUS PRO 4800	1219744	760	BELT,CR
STYLUS PRO 4800	1219720	761	PULLEY,DRIVEN
STYLUS PRO 4800	1219721	762	SHAFT,PULLEY
STYLUS PRO 4800	1234322	763	COMPRESSION SPRING,29.4
STYLUS PRO 4800	2032842	770	DETECTOR,HP,E, 4V,50MA,100MW
STYLUS PRO 4800	1230524	772	BELT,PG
STYLUS PRO 4800	2078958	773	HARNESS,DETECTOR,PG
STYLUS PRO 4800	1476585	778	BOARD ASSY.,ENCODER,CA00
STYLUS PRO 4800	1298925	779	HOLDER,TUBE,B,C593
STYLUS PRO 4800	1270045	780	PAD,TUBE
STYLUS PRO 4800	1298924	781	HOLDER,TUBE,A,C593
STYLUS PRO 4800	2135847	782	BOARD ASSY.,SUB, 6093B,ASP STANDARD
STYLUS PRO 4800	2078961	783	HARNESS,ENCODER
STYLUS PRO 4800	1298922	784	COVER,TUBE,C593
STYLUS PRO 4800	1298923	785	GUIDE,TUBE,CR,C593
STYLUS PRO 4800	1234020	786	SHEET,TUBE
STYLUS PRO 4800	1451006	787	GUIDE PLATE TUBE B,ASP,ESL
STYLUS PRO 4800	1219727	788	SHEET,SUS
STYLUS PRO 4800	1298929	789	HOLDER,FFC,C593
STYLUS PRO 4800	1278337	790-A	SPACER,MIDDLE,0.05
STYLUS PRO 4800	1278338	790-B	SPACER,MIDDLE,0.1
STYLUS PRO 4800	1278339	790-C	SPACER,MIDDLE,0.2
STYLUS PRO 4800	1278340	790-D	SPACER,MIDDLE,0.5
STYLUS PRO 4800	1278824	790-E	SPACER,MIDDLE,0.08
STYLUS PRO 4800	2078957	791	HARNESS,DETECTOR,HP
STYLUS PRO 4800	1419345	793	WEIGHT,SCALE,CR
STYLUS PRO 4800	2078954	801	HARNESS,PAPER EJECT PHASE,LEFT
STYLUS PRO 4800	1219914	802	LEVER,CHANGE PAPER EJECT,L
STYLUS PRO 4800	1230544	803	EXTENSION SPRING,6.99
STYLUS PRO 4800	1411495	805	MOUNT PLATE,MOTOR,ASF ASSY.,C593,ESL,ASP
STYLUS PRO 4800	1219686	806	COMBINATION GEAR,12,22.4
STYLUS PRO 4800	1219691	807	SPUR GEAR,25.6
STYLUS PRO 4800	1219693	808	COMBINATION GEAR,12.8,36
STYLUS PRO 4800	1219688	809	COMBINATION GEAR,13.6,28.8

Model	Article	Reference	Description
STYLUS PRO 4800	1219768	810	SPUR GEAR,20
STYLUS PRO 4800	1442072	811A	PG TRANSMIT ASSY.,C593,ESL,ASP
STYLUS PRO 4800	1405100	814	HOLDER,PLANET,RELEASE,B
STYLUS PRO 4800	1219821	815	SPUR GEAR,16,RELEASE
STYLUS PRO 4800	1219820	816	SPUR GEAR,22,RELEASE
STYLUS PRO 4800	1264474	817	POLY SLIDER,STW-FT70,t=0.25
STYLUS PRO 4800	1035494	818	COMPRESSION SPRING,0.98
STYLUS PRO 4800	1270016	819	SHEET,FRAME,RIGHT
STYLUS PRO 4800	1230512	820	EXTENSION SPRING,2.41
STYLUS PRO 4800	1219681	821	LEVER,LOCK,DE
STYLUS PRO 4800	1230539	822	SPUR GEAR,38
STYLUS PRO 4800	1219822	823	INTERMITTENT GEAR,RELEASE,TRANSMIT
STYLUS PRO 4800	1219818	824	COMBINATION GEAR,22,16.8
STYLUS PRO 4800	1219695	825	COMBINATION GEAR,16.74,24
STYLUS PRO 4800	1219883	826	SPUR GEAR,28
STYLUS PRO 4800	1219890	827	SPUR GEAR,33.6,B
STYLUS PRO 4800	1219694	828	SPUR GEAR,33.6
STYLUS PRO 4800	1219891	829	COMBINATION GEAR,24,36
STYLUS PRO 4800	1219886	830	COMBINATION GEAR,19.2,33.6
STYLUS PRO 4800	1219888	831	HOLDER,PLANET,CHANGE PAPER EJECT
STYLUS PRO 4800	1219889	832	SPUR GEAR,17.6,PLANET
STYLUS PRO 4800	1219885	833	SPUR GEAR,32.8,A
STYLUS PRO 4800	1219916	834	SPUR GEAR,44,PAPER EJECT
STYLUS PRO 4800	1219909	835	LEVER,CHANGE PAPER EJECT,R
STYLUS PRO 4800	1295050	836	LEVER,LOCK,CHANGE PAPER EJECT,R,B
STYLUS PRO 4800	1230543	837	EXTENSION SPRING,6.71
STYLUS PRO 4800	2080879	838	HARNESS,PAPER EJECT PHASE,RIGHT
STYLUS PRO 4800	1219764	839	LEVER,LOCK,PLANET
STYLUS PRO 4800	1219761	840	COMBINATION GEAR,36,8.8
STYLUS PRO 4800	1442068	841	PLATE ASSY.,ROLLER,BRAKE,UPPER,ESL,ASP
STYLUS PRO 4800	1268703	842	ROLLER ASSY.,BRAKE
STYLUS PRO 4800	1268894	843	EXTENSION SPRING,1.38
STYLUS PRO 4800	1442069	844	PLATE ASSY.,ROLLER,BRAKE,LOWER,ESL,ASP
STYLUS PRO 4800	1219765	845	SPUR GEAR,20,PLANET
STYLUS PRO 4800	1219763	846	SPUR GEAR,16,PLANET
STYLUS PRO 4800	1230525	847	COMPRESSION SPRING,3.38
STYLUS PRO 4800	1264206	848	COMPRESSION SPRING,0.78
STYLUS PRO 4800	1219762	849	HOLDER,PLANET
STYLUS PRO 4800	2035504	850	BOARD ASSY.,ENCODER
STYLUS PRO 4800	2078975	851	HARNESS,ENCODER,PF
STYLUS PRO 4800	1219802	852	HOLDER,SENSOR
STYLUS PRO 4800	1219809	854	PULLEY,BELT TENSION
STYLUS PRO 4800	1230531	855	EXTENSION SPRING,15.98
STYLUS PRO 4800	1230536	856	INTERMITTENT GEAR,40
STYLUS PRO 4800	1230537	857	SPUR GEAR,18
STYLUS PRO 4800	1219843	858	LEVER,RELEASE,ROLLER,DRIVEN
STYLUS PRO 4800	1230535	859	TORSION SPRING,615
STYLUS PRO 4800	1442062	860	FRAME ASSY.,LEVER,RELEASE,ESL,ASP
STYLUS PRO 4800	2078940	861	HARNESS,PAPER THICKNESS,1
STYLUS PRO 4800	1219853	862	HOLDER,DETECTOR,PAPER THICKNESS
STYLUS PRO 4800	2078955	864	HARNESS,PAPER THICKNESS,2
STYLUS PRO 4800	1230534	865	EXTENSION SPRING,8.08

Model	Article	Reference	Description
STYLUS PRO 4800	1219851	866	LEVER,DETECTOR,PAPER THICKNESS,A
STYLUS PRO 4800	1219852	867	LEVER,DETECTOR,PAPER THICKNESS,B
STYLUS PRO 4800	1270673	871	EXTENSION SPRING,0.22
STYLUS PRO 4800	2100038	873	MOTOR ASSY.,CR, DC
STYLUS PRO 4800	1219845	876	SHAFT,RELEASE,ROLLER,DRIVEN
STYLUS PRO 4800	1048898	877	MOUNTING PLATE,SCALE
STYLUS PRO 4800	1518665	878	SCALE,PF
STYLUS PRO 4800	1230542	879	TAPE,PULLY,PF
STYLUS PRO 4800	1219798	880	PULLEY,ROLLER,PF
STYLUS PRO 4800	1411494	888	RELEASE ASSY.,C593,ESL,ASP
STYLUS PRO 4800	1219850	890	HOLDER,DETECTOR,PE
STYLUS PRO 4800	2023967	892	BOARD ASSY.,PW
STYLUS PRO 4800	2078976	893	HARNESS,DETECTOR,PE
STYLUS PRO 4800	2100039	895	HARNESS,MOTOR,CR
STYLUS PRO 4800	1219807	896	PULLEY,DRIVE SUBROLLEY
STYLUS PRO 4800	1219908	900	ROLLER ASSY.,PAPER EJECT
STYLUS PRO 4800	1219919	902	PULLEY,PAPER EJECT ROLLER
STYLUS PRO 4800	1230547	903	EXTENSION SPRING,0.871
STYLUS PRO 4800	1219961	904	WHEEL,DETECTION
STYLUS PRO 4800	1219882	907	SPUR GEAR,15.2
STYLUS PRO 4800	1048957	908	SCALLOP SPRING PIN-AW,2X10,F/B
STYLUS PRO 4800	2078956	909	HARNESS,LOAD PHASE
STYLUS PRO 4800	1219922	910	HOLDER,PAPER EJECT ROLLER
STYLUS PRO 4800	1411490	911	PAPER GUIDE,FRONT,LEFT,ASSY.ESL,ASP
STYLUS PRO 4800	1298943	912	POROUS PAD,PAPER GUIDE,FRONT,I
STYLUS PRO 4800	1298942	913	POROUS PAD,PAPER GUIDE,FRONT,H
STYLUS PRO 4800	1298941	914	POROUS PAD,PAPER GUIDE,FRONT,G
STYLUS PRO 4800	1298940	915	POROUS PAD,PAPER GUIDE,FRONT,F
STYLUS PRO 4800	1298939	916	POROUS PAD,PAPER GUIDE,FRONT,E
STYLUS PRO 4800	1411488	917	PAPER GUIDE,FRONT,RIGHT,ASSY.ESL,ASP
STYLUS PRO 4800	1298937	918	POROUS PAD,PAPER GUIDE,FRONT,C
STYLUS PRO 4800	1298936	919	POROUS PAD,PAPER GUIDE,FRONT,B
STYLUS PRO 4800	1411489	920	PAPER GUIDE,FRONT,MIDDLE,ASSY.ESL,ASP
STYLUS PRO 4800	1298938	921	POROUS PAD,PAPER GUIDE,FRONT,D
STYLUS PRO 4800	1269614	922	PAD,AIRSEAL,E
STYLUS PRO 4800	1219865	923	BUSHING,SPACER,PLATEN
STYLUS PRO 4800	1270015	924	SPACER,PAPER EJECT
STYLUS PRO 4800	1442071	925	PAPER GUIDE,REAR ASSY.,C593,ESL,ASP
STYLUS PRO 4800	1264203	926	SPACER,PLATE,CUTTER,D
STYLUS PRO 4800	1264202	927	SPACER,PLATE,CUTTER,C
STYLUS PRO 4800	1264201	928	SPACER,PLATE,CUTTER,B
STYLUS PRO 4800	1264200	929	SPACER,PLATE,CUTTER,A
STYLUS PRO 4800	1411493	930	STAR WHEEL ASSY.,C593,ESL,ASP
STYLUS PRO 4800	1411492	950	ASF UNIT,C593,ESL,ASP
STYLUS PRO 4800	1616022	950	ASF UNIT,C593,ESL,ASP
STYLUS PRO 4800	1219949	952	CORK,PAPER FEED
STYLUS PRO 4800	1306271	953	LEVER,EDGE GUIDE,C593
STYLUS PRO 4800	1306272	954	COVER,EDGE GUIDE,C593
STYLUS PRO 4800	1035697	955	LEVER,LOCK,EDGE GUIDE
STYLUS PRO 4800	1035696	956	COMPRESSION SPRING,0.46
STYLUS PRO 4800	1030960	957	COMPRESSION SPRING,3.23
STYLUS PRO 4800	1219948	958	SLIDER,EDGE GUIDE

Model	Article	Reference	Description
STYLUS PRO 4800	1306270	960	GUIDE,LOWER,C593
STYLUS PRO 4800	1266425	961	EXTENSION SPRING,1.11
STYLUS PRO 4800	1230550	962	COMPRESSION SPRING,0.40
STYLUS PRO 4800	1219936	963	ROLLER,SUB,LD,MIDDLE
STYLUS PRO 4800	1230552	964	COMPRESSION SPRING,0.407
STYLUS PRO 4800	1235932	965	ROLLER ASSY.,LD,LEFT
STYLUS PRO 4800	1219953	966	COVER,ROLLER,LD,LEFT
STYLUS PRO 4800	1219952	967	COVER,ROLLER,LD,RIGHT
STYLUS PRO 4800	1235931	968	ROLLER ASSY.,LD,RIGHT
STYLUS PRO 4800	1030449	970	LEVER,PAD,RELEASE,LEFT
STYLUS PRO 4800	1030420	971	ROD SPRING,HOLDER,PAD
STYLUS PRO 4800	1030450	973	LEVER,PAD,RELEASE,RIGHT
STYLUS PRO 4800	1036874	974	EXTENSION SPRING,0.62
STYLUS PRO 4800	1301888	975	COMPRESSION SPRING,1.47
STYLUS PRO 4800	1219942	976	LEVER,PAPER RETURN,LEFT
STYLUS PRO 4800	1040646	977	EXTENSION SPRING,0.294
STYLUS PRO 4800	1219940	978	HOLDER,ROLLER,LD,SUPPORT,LEFT
STYLUS PRO 4800	1279035	979	ROLLER,LD,SUPPORT
STYLUS PRO 4800	1219941	982	LEVER,PAPER RETURN,RIGHT
STYLUS PRO 4800	1219938	983	HOLDER,ROLLER,LD,SUPPORT,RIGHT
STYLUS PRO 4800	1219960	985	BUSHING,LOCK,11.4
STYLUS PRO 4800	1219968	986	GROUND SPRING,ASF
STYLUS PRO 4800	1219959	987	LEVER,HOPPER,RELEASE
STYLUS PRO 4800	1219963	988	LEVER,LOCK,EDGE GUIDE
STYLUS PRO 4800	1264205	989	EXTENSION SPRING,0.33
STYLUS PRO 4800	1442063	990	FRAME ASSY.,ASF,LOWER,ESL,ASP
STYLUS PRO 4800	1306267	991	FRAME,ASF,RIGHT,C593
STYLUS PRO 4800	1219962	992	GEAR,44.74
STYLUS PRO 4800	2106735	IC12	FLASH EEPROM, TSOP,16MBIT,70N/SEC,48
STYLUS PRO 4800	2060090	IC15	MICROCONTROLLER, 28
STYLUS PRO 4800	1401454	NON FIG	ALLEN WRENCH(3mm)
STYLUS PRO 4800	1401458	NON FIG	ASF EXCHANGE SUPPORT TOOL
STYLUS PRO 4800	1288094	NON FIG	Banding Standard Sample
STYLUS PRO 4800	1401947	NON FIG	BOXWRENCH(SPECIAL PROCESSING)
STYLUS PRO 4800	1401950	NON FIG	CALIBRATE BLOCK&TOOL STAND
STYLUS PRO 4800	1474280	NON FIG	CLEANING CART.UNBOXED,6C,110,AS, 07-002 #F991
STYLUS PRO 4800	1277074	NON FIG	CODE TYPE MICROPHONE(U-505)
STYLUS PRO 4800	1401455	NON FIG	CR ASSY HOLD TOOL
STYLUS PRO 4800	1284893	NON FIG	CR LOCK TOOL
STYLUS PRO 4800	1400038	NON FIG	CR SHAFT HEIGHT ADJUSTMENT TOOL #F917
STYLUS PRO 4800	1400039	NON FIG	CR SHAFT HEIGHT CHECK TOOL #F916
STYLUS PRO 4800	1400032	NON FIG	CR SHAFT PARALLELISM ADG.TOOL #F923
STYLUS PRO 4800	1400022	NON FIG	CR SHAFT PARALLELISM PRSS TOOL #F924
STYLUS PRO 4800	1400034	NON FIG	CR SHAFT PARALLELISM WEIGHT #F926
STYLUS PRO 4800	1400033	NON FIG	CR SHAFT PASS/UN-PASS TOOL #F925
STYLUS PRO 4800	1400023	NON FIG	CR SUS PLATE SUPPORT TOOL #F910 (2PCS/SET)
STYLUS PRO 4800	1401456	NON FIG	CUTTER CAP
STYLUS PRO 4800	1400035	NON FIG	CUTTER HEIGHT ADJUSTMENT TOOL #F927
STYLUS PRO 4800	1401948	NON FIG	CUTTER PLATE DITCH POSITION TOOL
STYLUS PRO 4800	1400036	NON FIG	CUTTER PRESS DOWN TOOL #F928
STYLUS PRO 4800	1400024	NON FIG	FFC CHECKING TOOL #F909
STYLUS PRO 4800	1080614	NON FIG	GREASE G-26 (40GR)(B702600001)

Model	Article	Reference	Description
STYLUS PRO 4800	1409257	NON FIG	GREASE G-74
STYLUS PRO 4800	1294672	NON FIG	HEAD EXCHANGE SUPPORT TOOL
STYLUS PRO 4800	1472949	NON FIG	INK CART.BOXED C,PIG'T,6C110AS
STYLUS PRO 4800	1472954	NON FIG	INK CART.BOXED LBK,PIG'T,6C110AS
STYLUS PRO 4800	1472952	NON FIG	INK CART.BOXED LC,PIG'T,6C110AS
STYLUS PRO 4800	1472955	NON FIG	INK CART.BOXED LLBK,PIG'T,6C110AS
STYLUS PRO 4800	1472957	NON FIG	INK CART.BOXED LM,PIG'T,6C110AS
STYLUS PRO 4800	1472956	NON FIG	INK CART.BOXED M,PIG'T,6C110AS
STYLUS PRO 4800	1472948	NON FIG	INK CART.BOXED PBK,PIG'T,6C110AS
STYLUS PRO 4800	1472951	NON FIG	INK CART.BOXED Y,PIG'T,6C110AS
STYLUS PRO 4800	1476228	NON FIG	JETRAS JP-D300S
STYLUS PRO 4800	1400028	NON FIG	KEEP STAND CR SHAFT HEIGHT TOOL #F919
STYLUS PRO 4800	1401949	NON FIG	KEEP STAND FOR CUTTER PLATE&PLATEN
STYLUS PRO 4800	1282354	NON FIG	MULTI SENSOR POSITION TOOL
STYLUS PRO 4800	1400025	NON FIG	P-COVER OPEN SENSOR CLOSE TOOL #F908
STYLUS PRO 4800	1282355	NON FIG	PAPER THICKNESS POSITION TOOL
STYLUS PRO 4800	1400040	NON FIG	PF ROLLER HEIGHT ADJ.TOOL #F918
STYLUS PRO 4800	1400029	NON FIG	PG BELT TENSION SUPPORT TOOL #F920
STYLUS PRO 4800	1400031	NON FIG	PG BELT TENSION WEIGHT #F922
STYLUS PRO 4800	1400030	NON FIG	PG GUAR POSITION ADJ.TOOL
STYLUS PRO 4800	1400037	NON FIG	PLATEN HEIGHT ADJUSTMENT TOOL #F915
STYLUS PRO 4800	1401453	NON FIG	PLATEN RUBBER SETTING TOOL
STYLUS PRO 4800	1401457	NON FIG	PRESS TOOL FOR CUTTER PLATE
STYLUS PRO 4800	1047746	NON FIG	RULER,1000MM,#F713 1050MM X 35 X 1.5
STYLUS PRO 4800	1401952	NON FIG	TENSION GAUGE(10N)
STYLUS PRO 4800	1401951	NON FIG	TENSION GAUGE(5N,STD)
STYLUS PRO 4800	1401953	NON FIG	THICKNESS GAUGE t=0.1mm
STYLUS PRO 4800	1400027	NON FIG	THICKNESS GAUGE T=0.65 #F912
STYLUS PRO 4800	1400026	NON FIG	THICKNESS GAUGE T=0.75 #F911
STYLUS PRO 4800	1401954	NON FIG	TORQUE SCREWDRIVER(4~12KG)