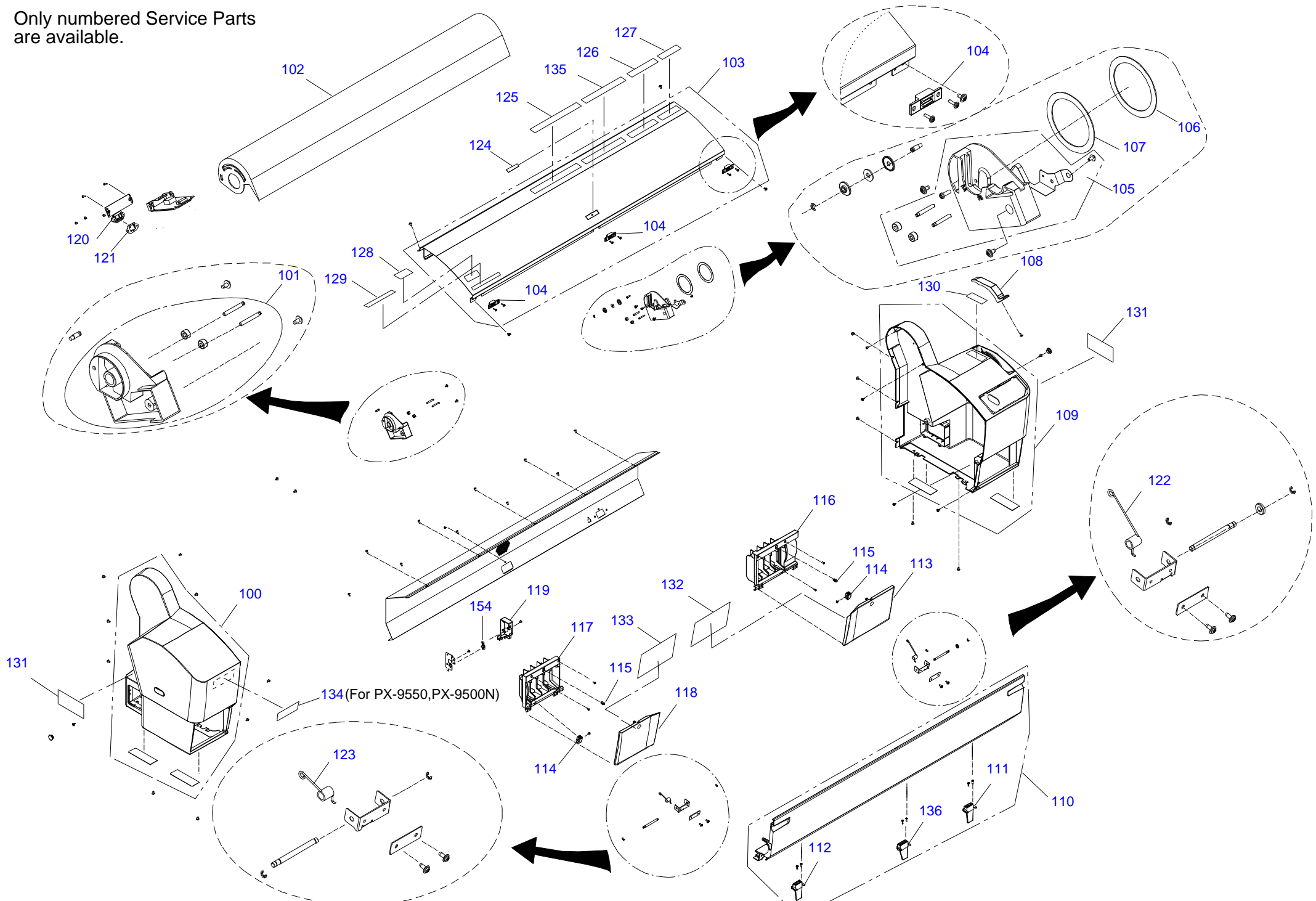
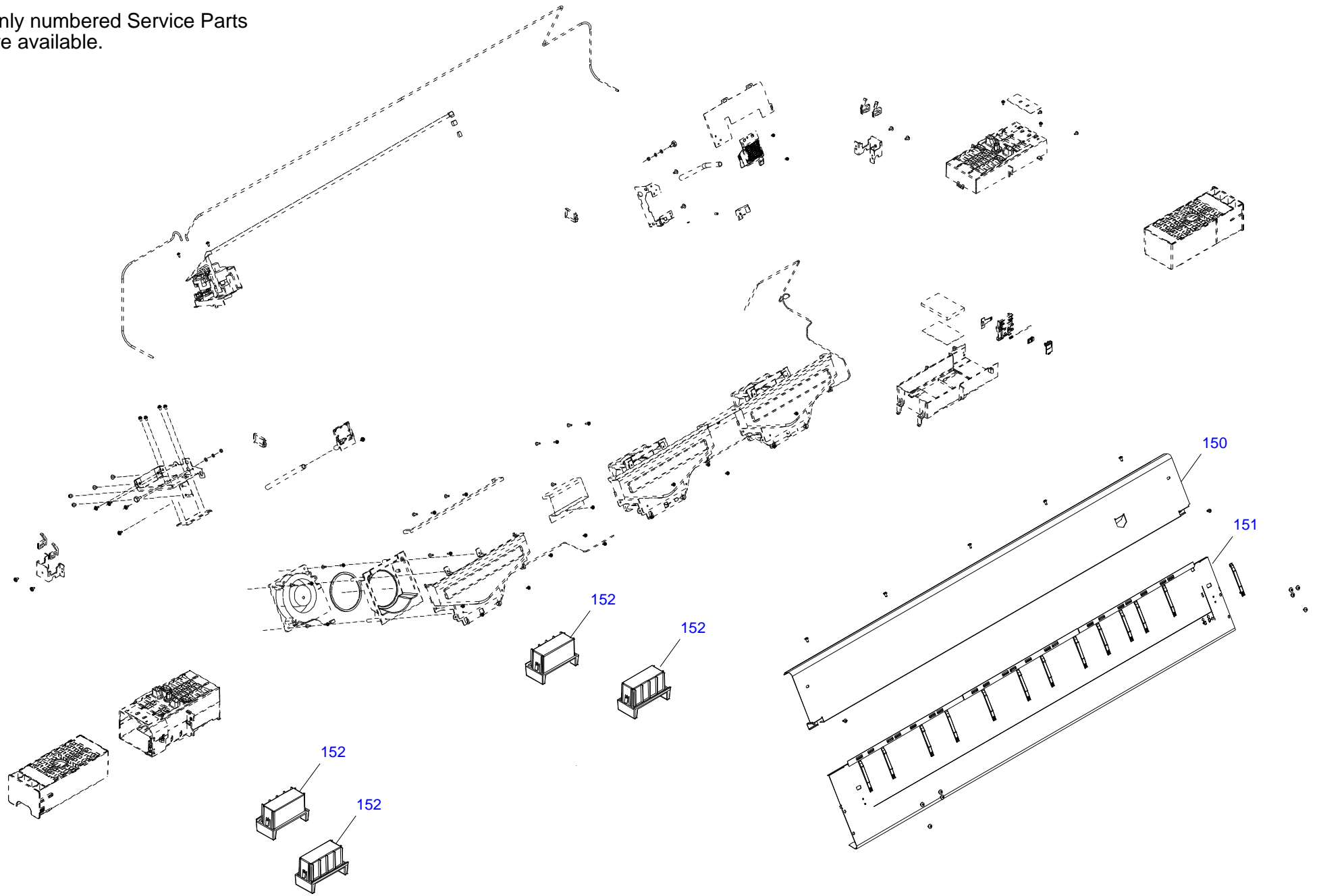


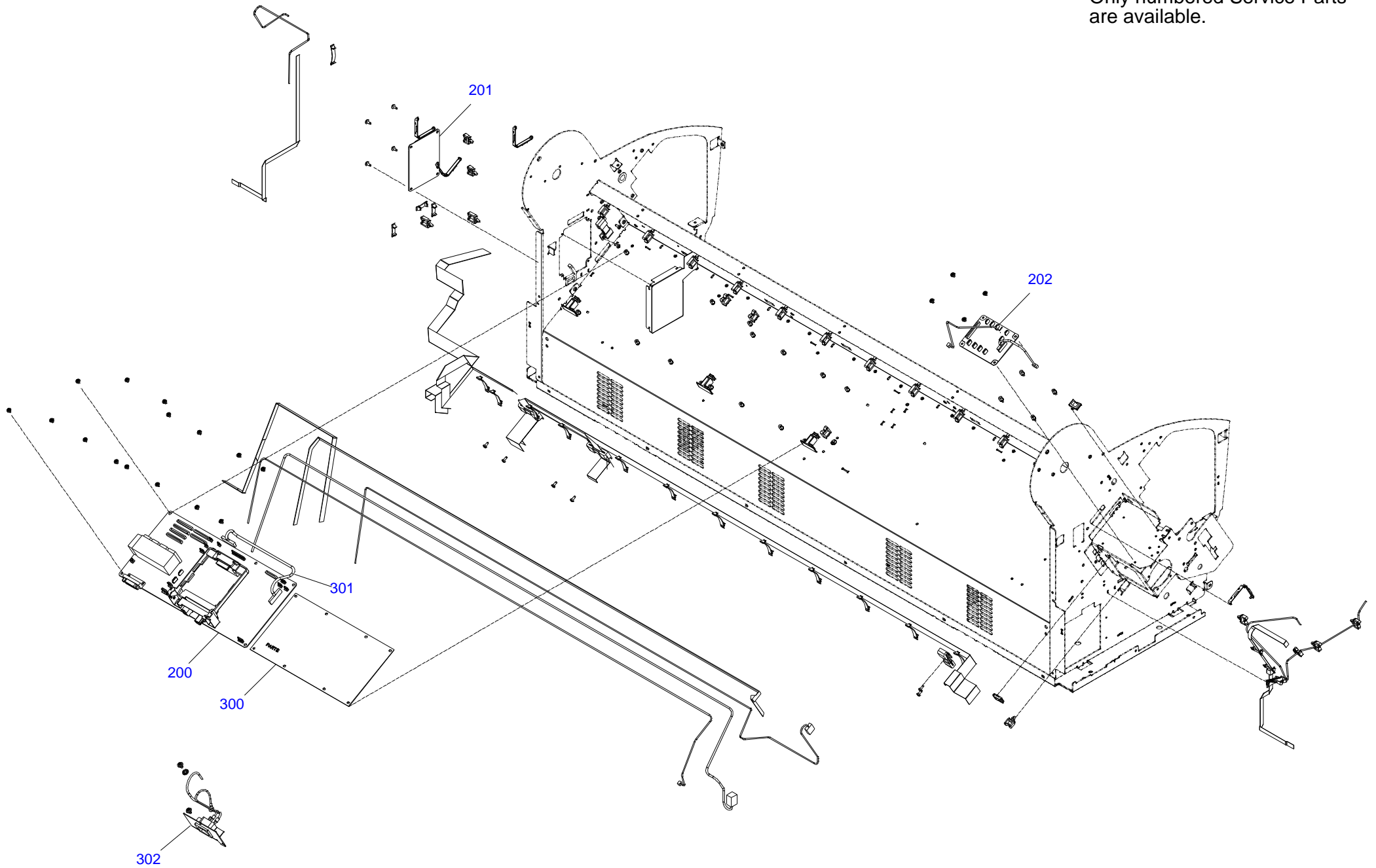
Only numbered Service Parts
are available.



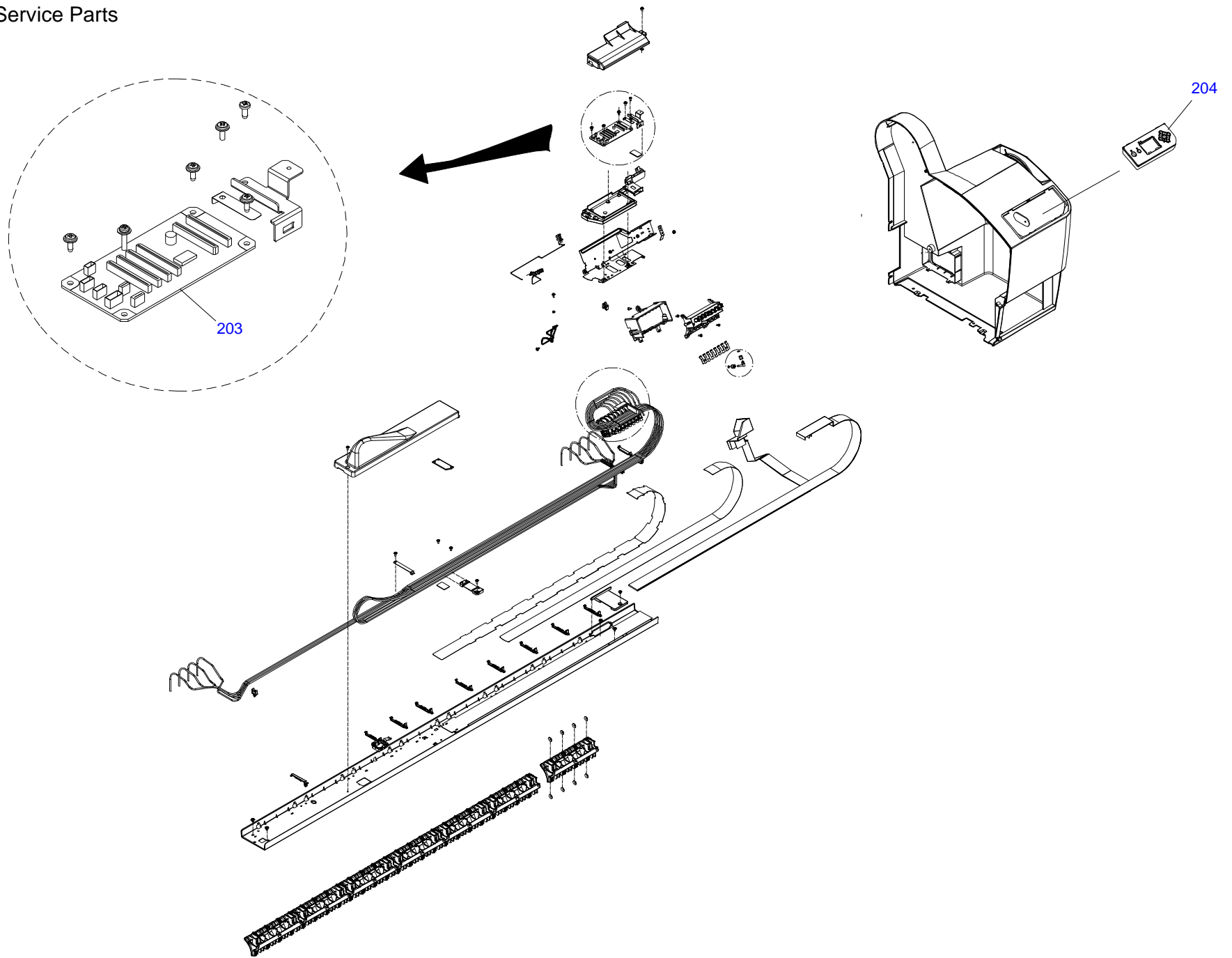
Only numbered Service Parts
are available.



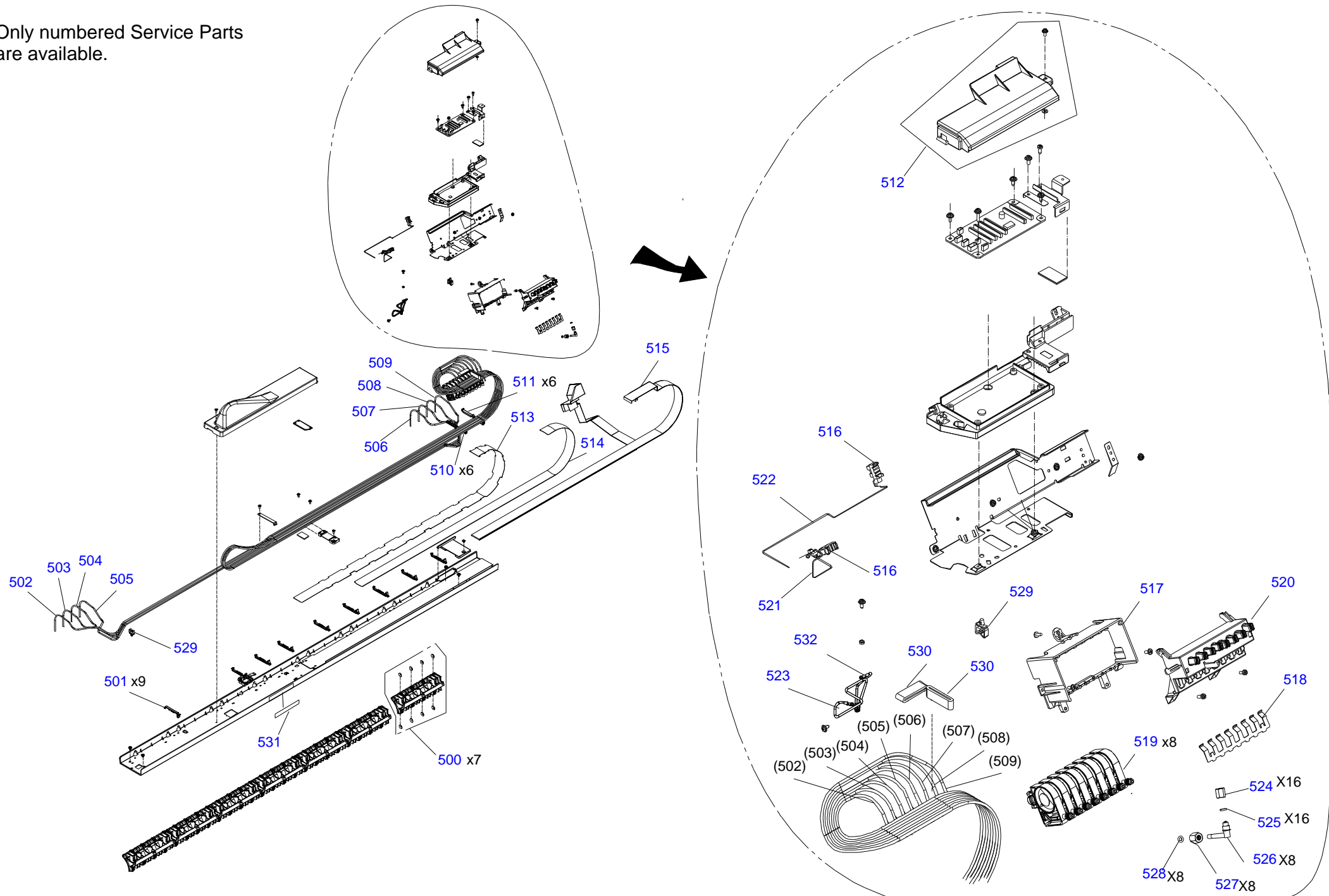
Only numbered Service Parts
are available.



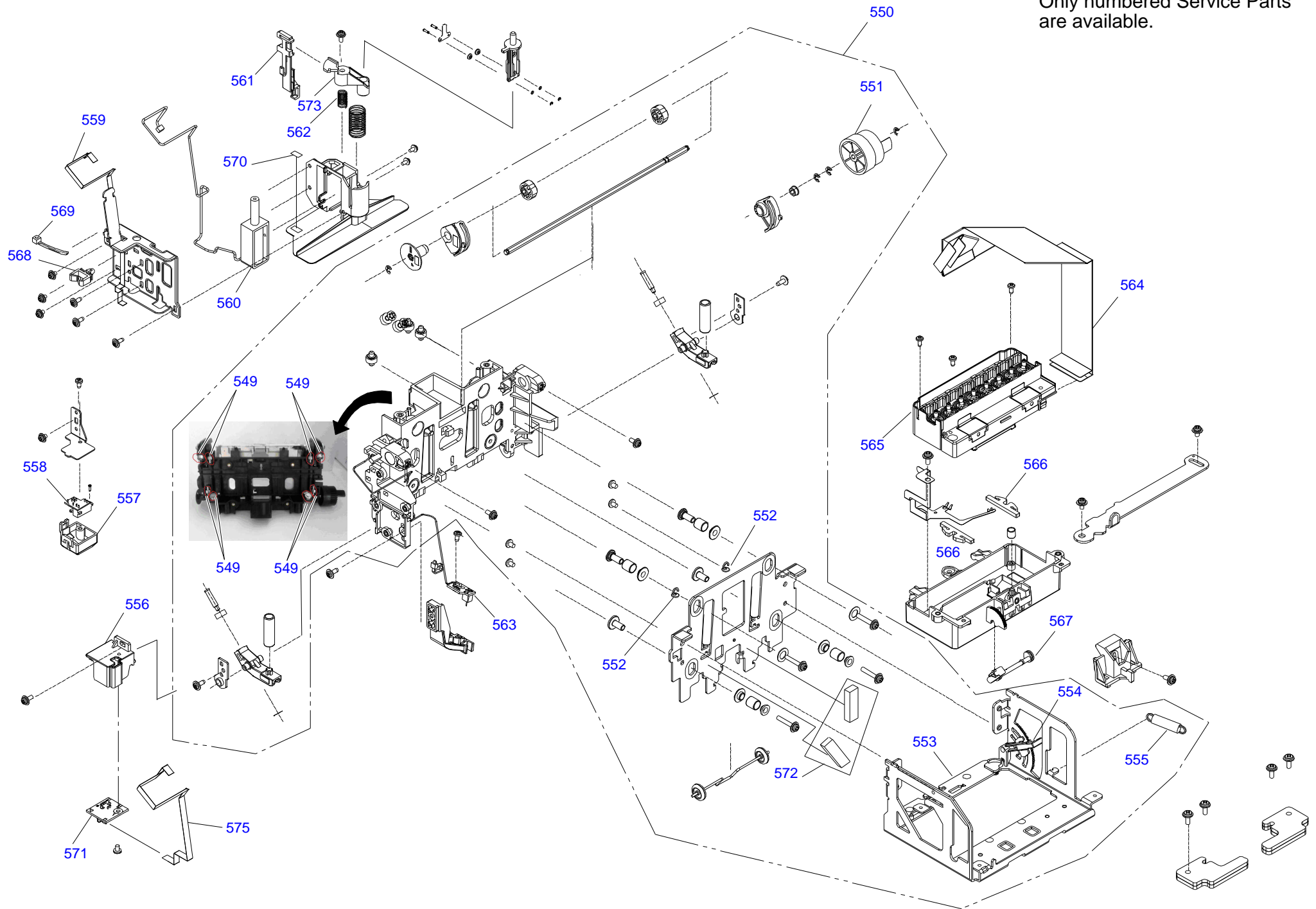
Only numbered Service Parts
are available.



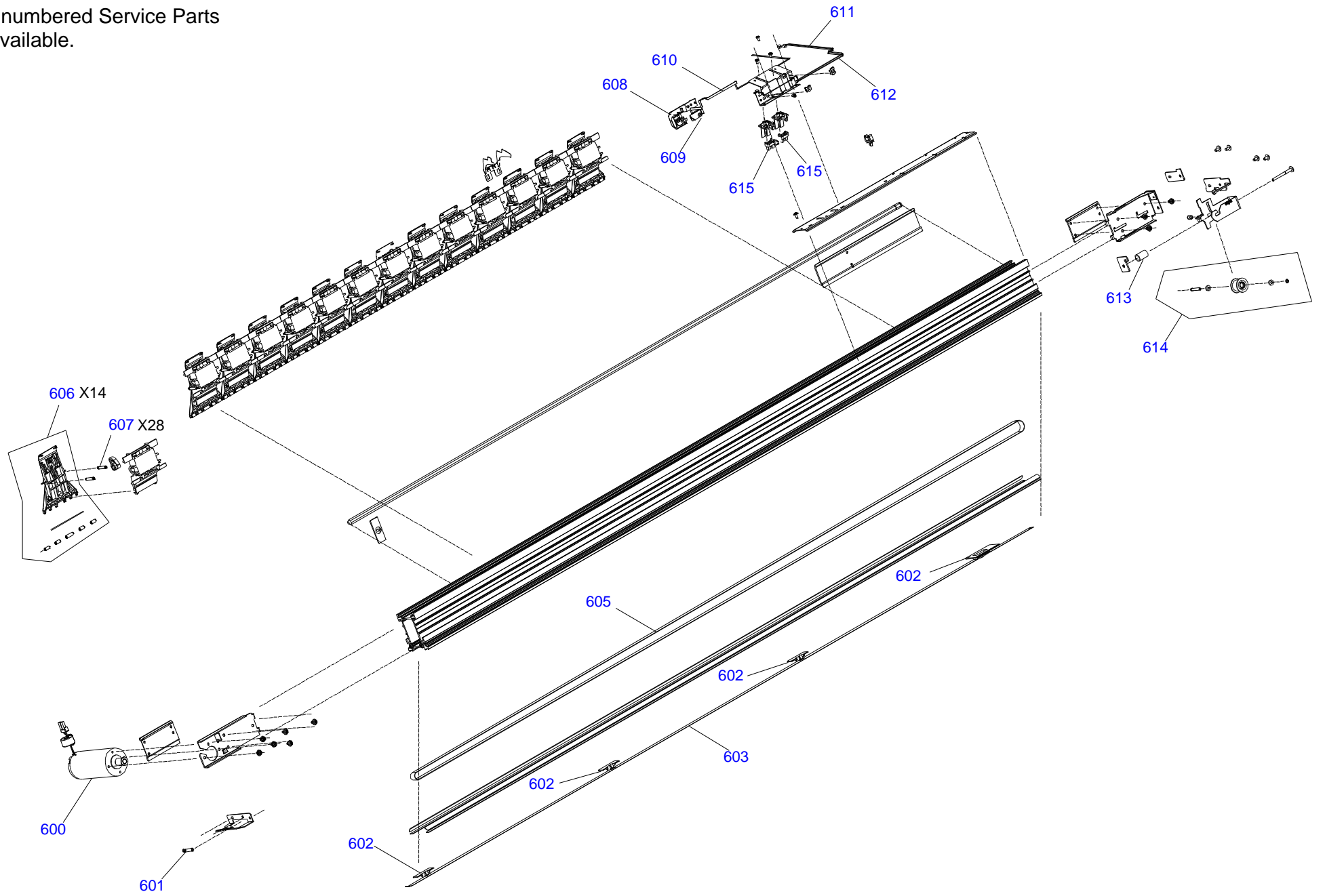
Only numbered Service Parts are available.



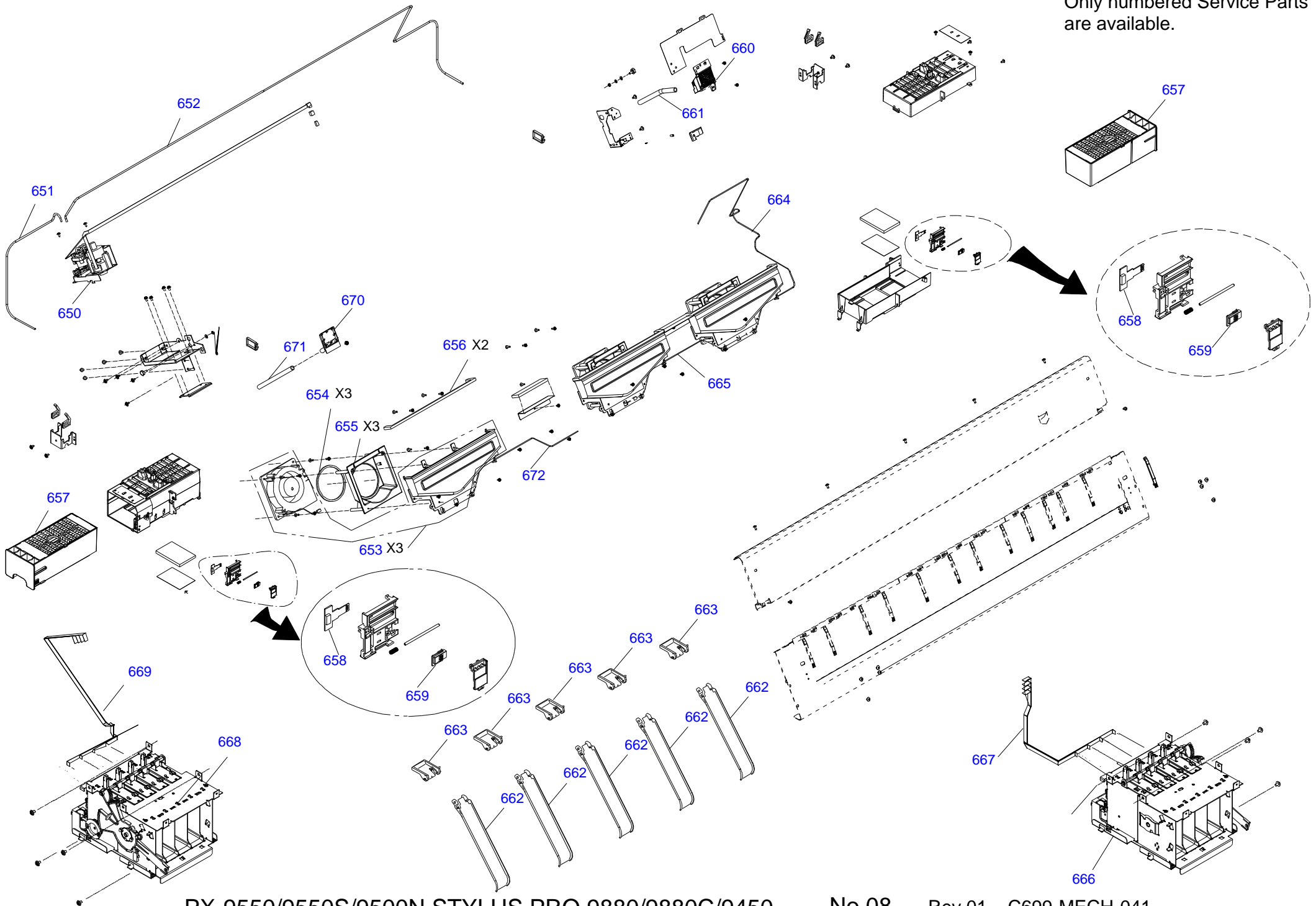
Only numbered Service Parts are available.



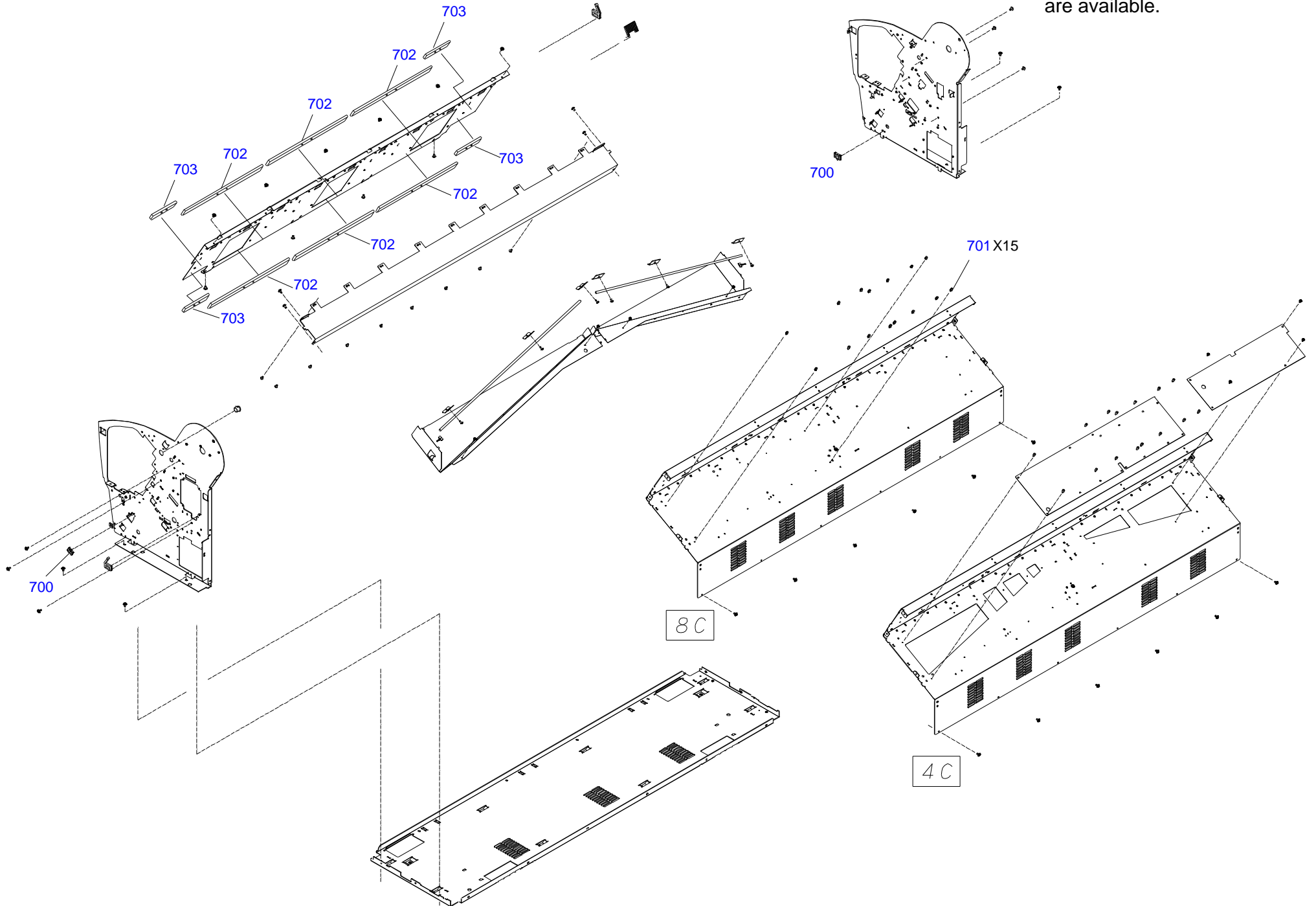
Only numbered Service Parts
are available.



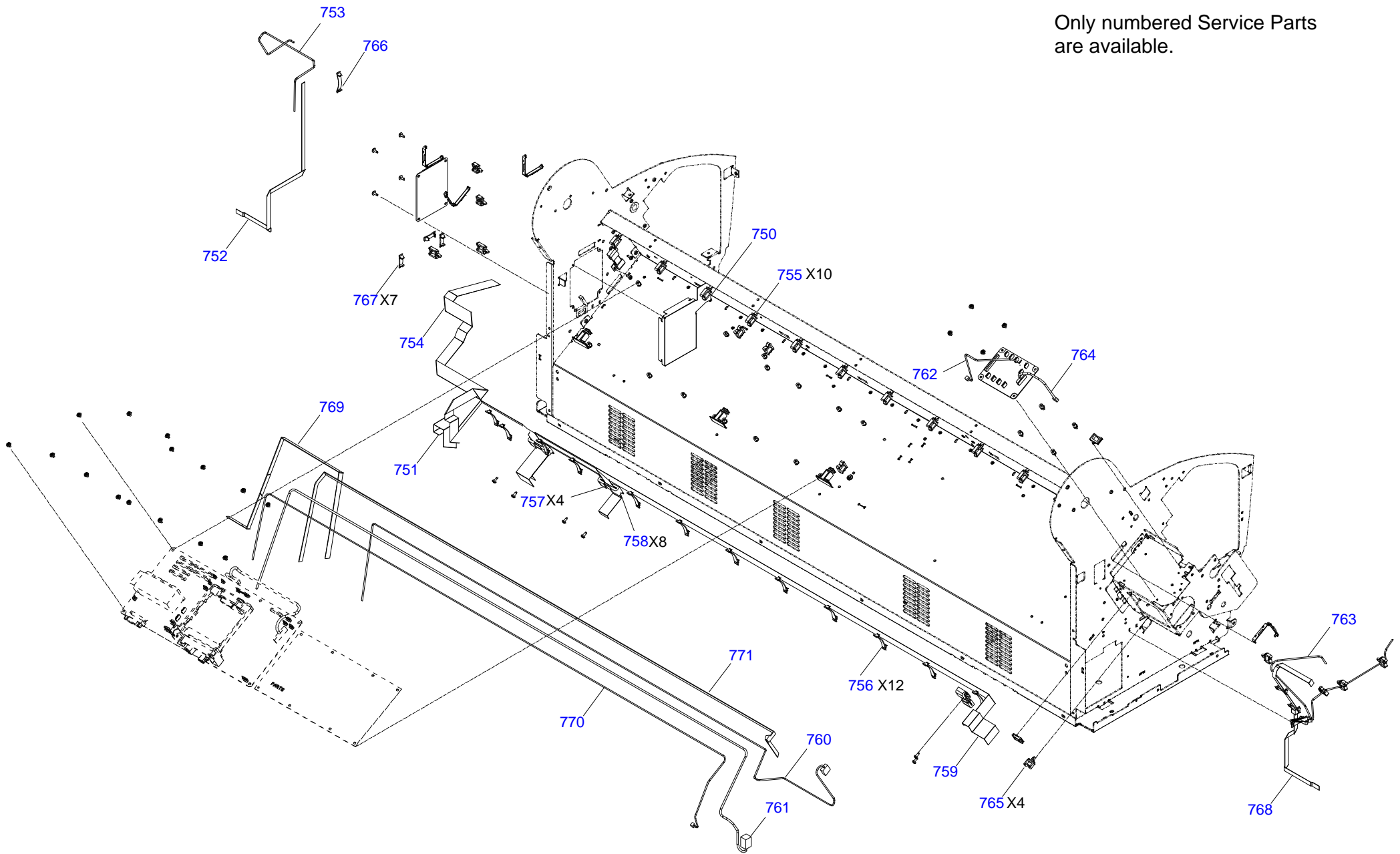
Only numbered Service Parts
are available.



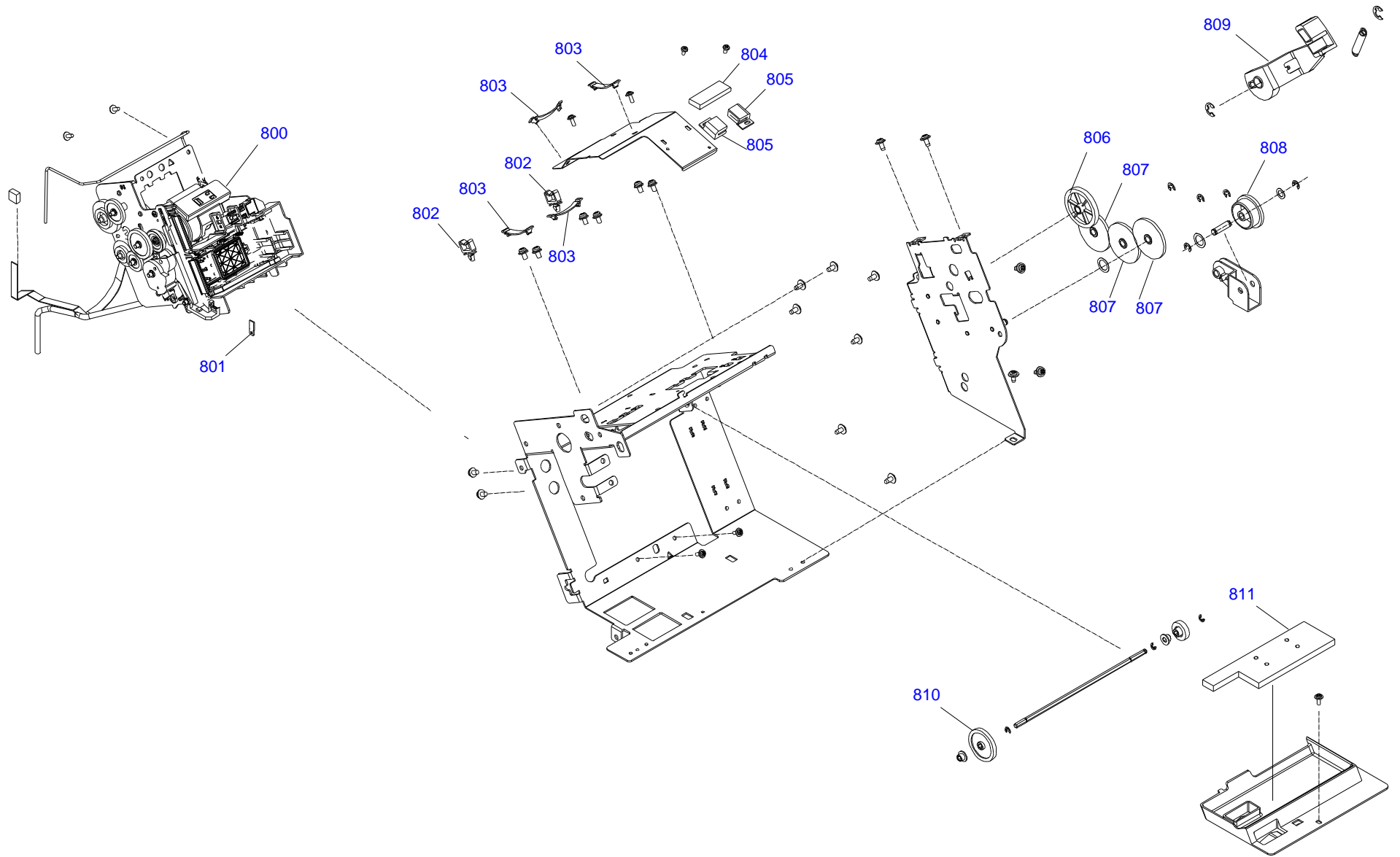
Only numbered Service Parts are available.



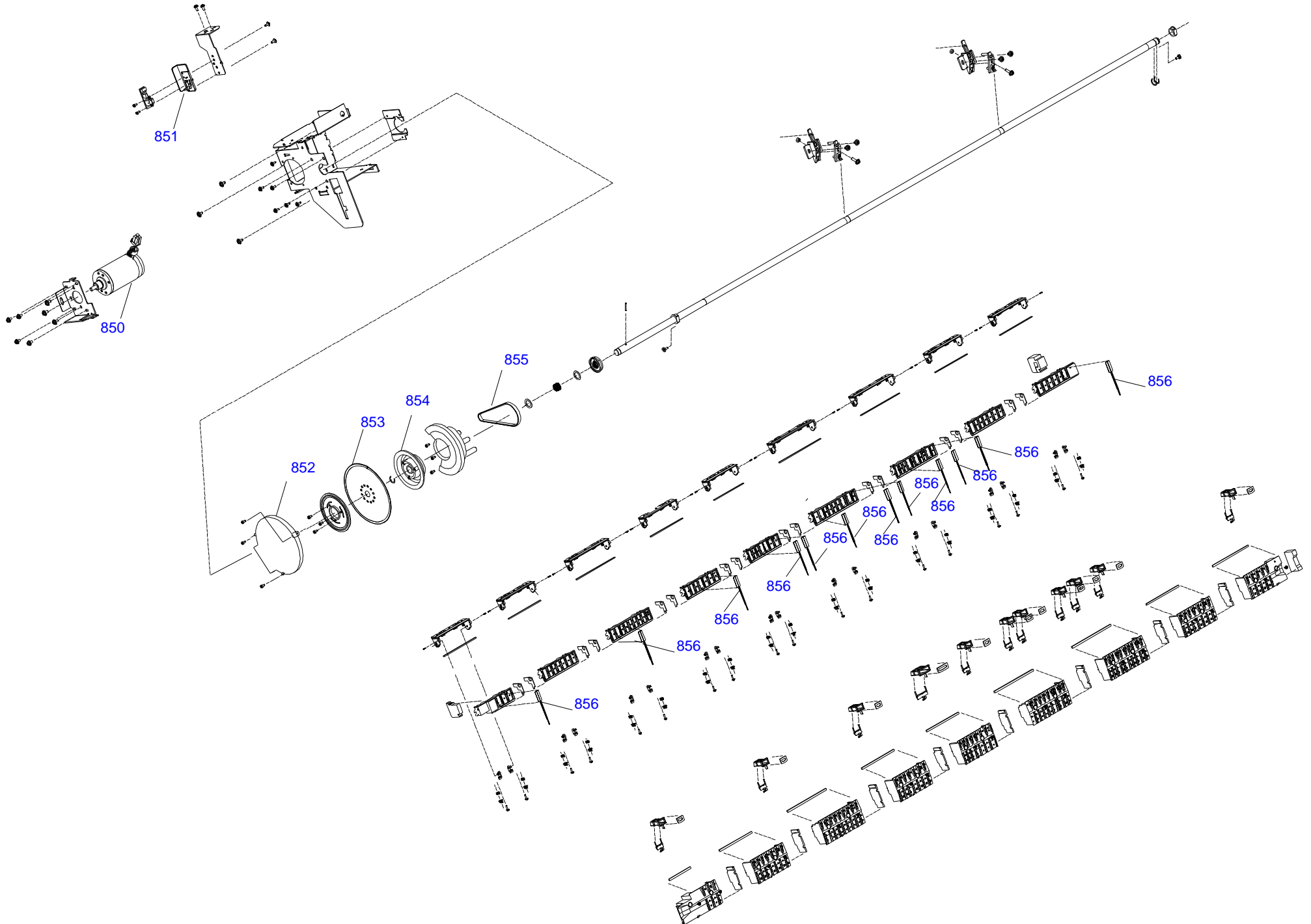
Only numbered Service Parts
are available.



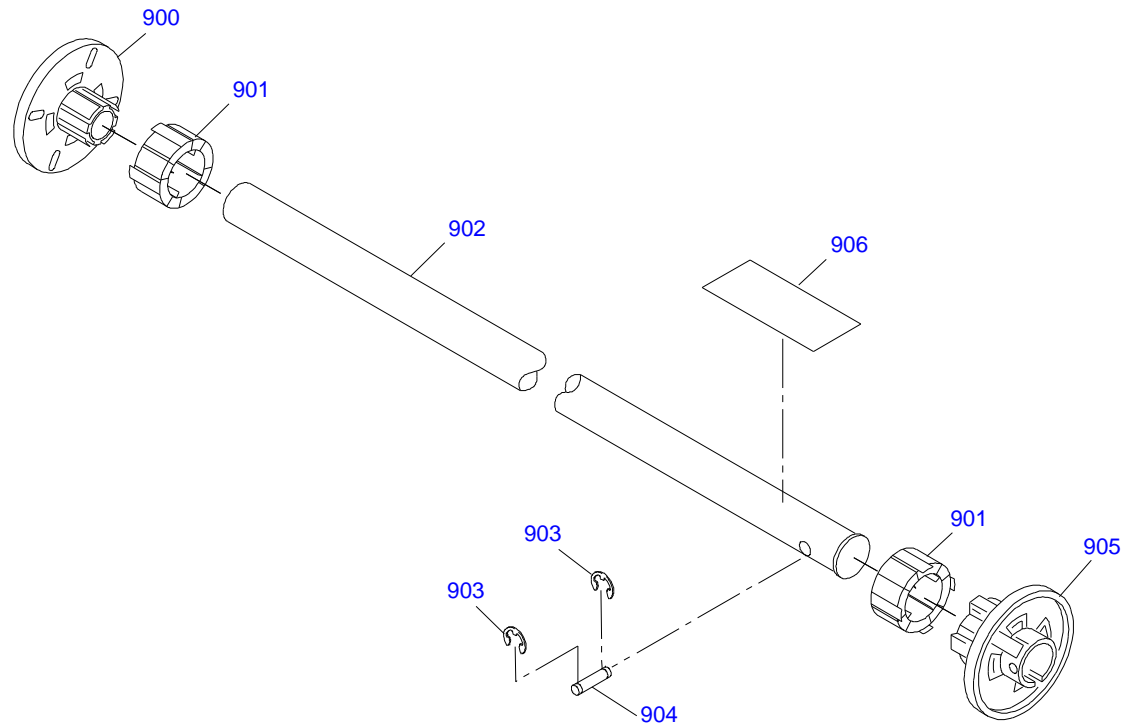
Only numbered Service Parts
are available.



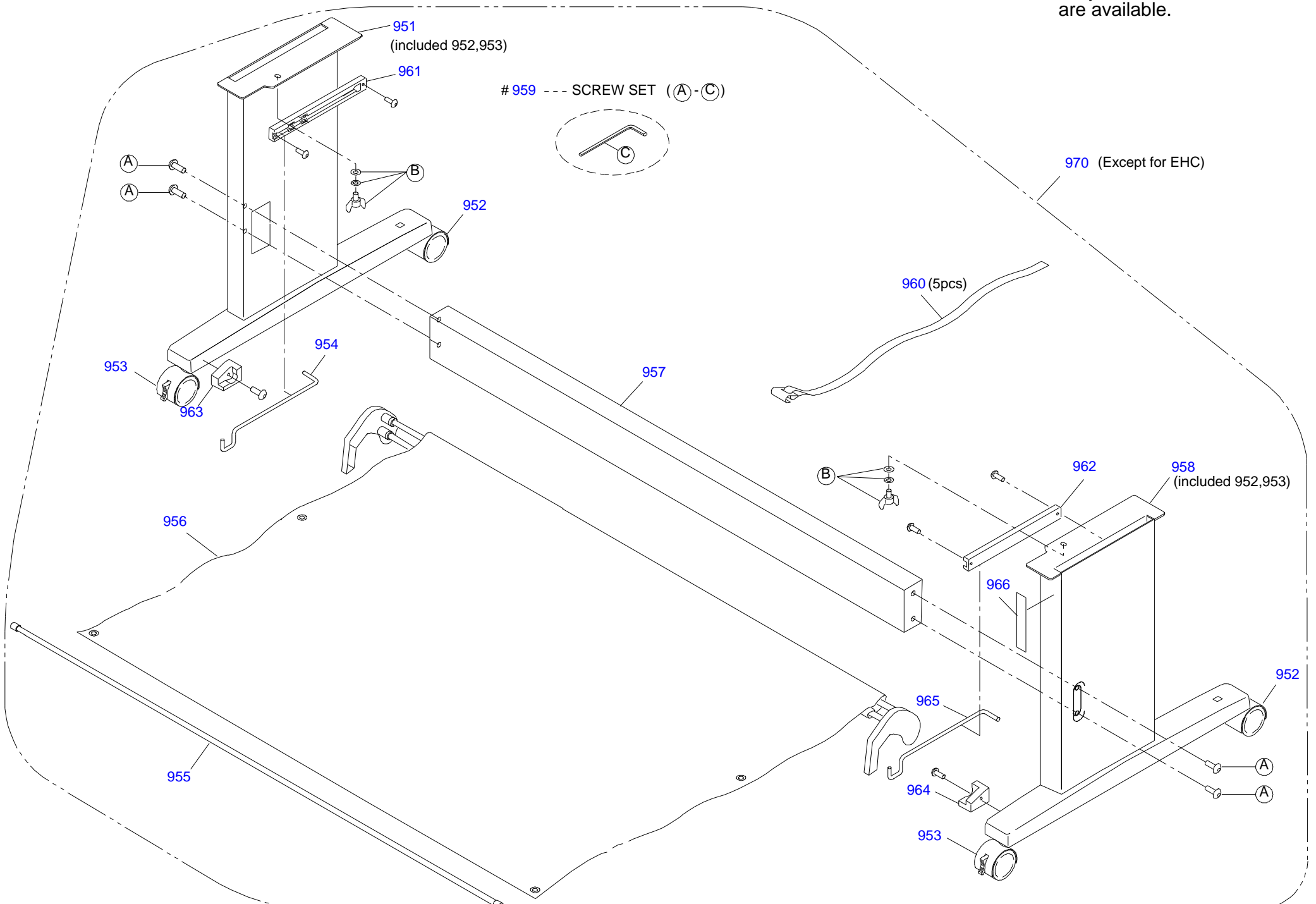
Only numbered Service Parts are available.



Only numbered Service Parts
are available.



Only numbered Service Parts
are available.



| Model | Article | Reference | Description |
|-----------------|---------|-----------|--|
| STYLUS PRO 9880 | 1449299 | 100 | L SIDE COVER ASSY.,ASP |
| STYLUS PRO 9880 | 1449294 | 101 | ROLL TRAY L ASSY.,ASP |
| STYLUS PRO 9880 | 1441332 | 102 | TOP COVER,44 |
| STYLUS PRO 9880 | 1449309 | 103 | H TOP COVER ASSY.,44,ASP |
| STYLUS PRO 9880 | 1441277 | 104 | CATCH |
| STYLUS PRO 9880 | 1449293 | 105 | ROLL TRAY R ASSY.,ASP |
| STYLUS PRO 9880 | 1441879 | 106 | WAVE WASHER,I.W.T.W-60 |
| STYLUS PRO 9880 | 1441693 | 107 | DAMPER DISK BA |
| STYLUS PRO 9880 | 1441357 | 108 | PRESSURE LEVER KNOB |
| STYLUS PRO 9880 | 1449298 | 109 | R SIDE COVER ASSY.,ASP |
| STYLUS PRO 9880 | 1449310 | 110 | FRONT COVER ASSY.,44,ASP |
| STYLUS PRO 9880 | 1441665 | 111 | STOPPER R |
| STYLUS PRO 9880 | 1441664 | 112 | STOPPER L |
| STYLUS PRO 9880 | 1441326 | 113 | IH COVER R |
| STYLUS PRO 9880 | 1305019 | 114 | KNOB,I/C,LOCK LEVER,C593 |
| STYLUS PRO 9880 | 1043027 | 115 | MIN SIDE LOCK#091Y |
| STYLUS PRO 9880 | 1449300 | 116 | I/H COVER R ASSY.,ASP |
| STYLUS PRO 9880 | 1449301 | 117 | I/H COVER L ASSY.,ASP |
| STYLUS PRO 9880 | 1441325 | 118 | IH COVER L |
| STYLUS PRO 9880 | 1441662 | 119 | FRONT SENSOR COVER |
| STYLUS PRO 9880 | 1469116 | 120 | COVER,IF,CA00 |
| STYLUS PRO 9880 | 1469115 | 121 | GROUND PLATE,IF,CA00 |
| STYLUS PRO 9880 | 1441797 | 122 | FRONT COVER SPRING R,44 |
| STYLUS PRO 9880 | 1441798 | 123 | FRONT COVER SPRING L,44 |
| STYLUS PRO 9880 | 1305008 | 124 | LOGO PLATE,13X54,G |
| STYLUS PRO 9880 | 1474137 | 125 | LABEL,ROLL PAPER CHANGE |
| STYLUS PRO 9880 | 1474138 | 126 | LABEL,CUT PAPER SET |
| STYLUS PRO 9880 | 1406022 | 127 | LABEL,CUTTER CHANGE1 |
| STYLUS PRO 9880 | 1475434 | 128 | LABEL,ULTRA CHROME INK,K3VM,B |
| STYLUS PRO 9880 | 1472782 | 129 | LABEL,MODEL NAME |
| STYLUS PRO 9880 | 1407937 | 130 | LABEL,PAPER LEVER SET UP |
| STYLUS PRO 9880 | 1406026 | 131 | LABEL,HAND POSITION,44 |
| STYLUS PRO 9880 | 1471100 | 132 | LABEL,CHOKE CLEANING |
| STYLUS PRO 9880 | 1471102 | 133 | LABEL,CAUTION,TRANSPORT |
| STYLUS PRO 9880 | 1417758 | 135 | LABEL,BOARD PAPER SET |
| STYLUS PRO 9880 | 1441663 | 136 | STOPPER C |
| STYLUS PRO 9880 | 1441309 | 150 | P-GUIDE U,44 |
| STYLUS PRO 9880 | 1475981 | 151 | PGUIDE L ASSY.,44+,ASP |
| STYLUS PRO 9880 | 1441336 | 152 | PLASTIC HANDLE TB-30712 |
| STYLUS PRO 9880 | 2020393 | 154 | DETECTOR,LEAF,B2 |
| STYLUS PRO 9880 | 2117078 | 200 | BOARD ASSY.,MAIN 6335A,C699 STANDARD |
| STYLUS PRO 9880 | 2117081 | 201 | BOARD ASSY.,SUB 6336A,STANDARD |
| STYLUS PRO 9880 | 2117084 | 202 | BOARD ASSY.,SUB 6337A,STANDARD |
| STYLUS PRO 9880 | 2093626 | 203 | BOARD ASSY.,SUB 6100A,STANDARD |
| STYLUS PRO 9880 | 2112807 | 204 | PANEL ASSY.,ASP |
| STYLUS PRO 9880 | 2111146 | 300 | POWER BOARD |
| STYLUS PRO 9880 | 2082070 | 301 | POWER CABLE |
| STYLUS PRO 9880 | 2088214 | 301 | POWER CABLE |
| STYLUS PRO 9880 | 2103331 | 301 | POWER CABLE |
| STYLUS PRO 9880 | 2118683 | 302 | INLET ASSY. |
| STYLUS PRO 9880 | 1449308 | 500 | PAPER OUTLET ROLLER ASSY.,ASP TB-31356 |
| STYLUS PRO 9880 | 1441646 | 501 | PIPE CLIP(SMALL) |

| Model | Article | Reference | Description |
|-----------------|---------|-----------|------------------------------|
| STYLUS PRO 9880 | 1305824 | 502 | TUBE,SUPPLY,INK,#1,44 |
| STYLUS PRO 9880 | 1305825 | 503 | TUBE,SUPPLY,INK,#2,44 |
| STYLUS PRO 9880 | 1305826 | 504 | TUBE,SUPPLY,INK,#3,44 |
| STYLUS PRO 9880 | 1305827 | 505 | TUBE,SUPPLY,INK,#4,44 |
| STYLUS PRO 9880 | 1305828 | 506 | TUBE,SUPPLY,INK,#5,44 |
| STYLUS PRO 9880 | 1305829 | 507 | TUBE,SUPPLY,INK,#6,44 |
| STYLUS PRO 9880 | 1305830 | 508 | TUBE,SUPPLY,INK,#7,44 |
| STYLUS PRO 9880 | 1305831 | 509 | TUBE,SUPPLY,INK,#8,44 |
| STYLUS PRO 9880 | 1441348 | 510 | FILM TUBE FIXING |
| STYLUS PRO 9880 | 1441634 | 511 | TUBE FFC FIXING |
| STYLUS PRO 9880 | 1449315 | 512 | CR COVER ASSY.,ASP |
| STYLUS PRO 9880 | 1441349 | 513 | TUBE FILM,44 |
| STYLUS PRO 9880 | 1454970 | 514 | GUIDE PLATE,TUBU |
| STYLUS PRO 9880 | 1449305 | 515 | CR FFC2,ASP |
| STYLUS PRO 9880 | 2111195 | 516 | PHOTO SENSOR,SG2481 TB-31381 |
| STYLUS PRO 9880 | 1305815 | 517 | HOLDER,DUMPER |
| STYLUS PRO 9880 | 1305819 | 518 | HOLDING SPRING,DUMPER |
| STYLUS PRO 9880 | 1419222 | 519 | VALVE ASSY.,HEAD,C,ESL,ASP |
| STYLUS PRO 9880 | 1305817 | 520 | COVER,DUMPER |
| STYLUS PRO 9880 | 2111172 | 521 | PG ORG CABLE ASSY. |
| STYLUS PRO 9880 | 2111171 | 522 | CR ORG CABLE ASSY. |
| STYLUS PRO 9880 | 2111181 | 523 | FG CABLE ASSY. |
| STYLUS PRO 9880 | 1469640 | 524 | JOINT SCREWS,M6 |
| STYLUS PRO 9880 | 1033483 | 525 | O RING,TUBE FASTEN |
| STYLUS PRO 9880 | 1305841 | 526 | JOINT,2,L |
| STYLUS PRO 9880 | 1091107 | 527 | CONNECTING SCREW,M7 |
| STYLUS PRO 9880 | 1091108 | 528 | O RING,CONNECTER,M7 |
| STYLUS PRO 9880 | 1059713 | 529 | CABLE CLAMP TB-30208 |
| STYLUS PRO 9880 | 2014112 | 530 | FERRITE CORE,SSC-40-12-F |
| STYLUS PRO 9880 | 1406023 | 531 | LABEL,CUTTER CHANGE2 |
| STYLUS PRO 9880 | 2111185 | 532 | FG CABLE |
| STYLUS PRO 9880 | 1458668 | 549 | BALL BEARING,MR93ZZ |
| STYLUS PRO 9880 | 1449306 | 550 | CARRIAGE ASSY.(CUSHION),ASP |
| STYLUS PRO 9880 | 1441359 | 551 | SLIDE GEAR BA |
| STYLUS PRO 9880 | 1441745 | 552 | HEAD PG SPRING |
| STYLUS PRO 9880 | 1441518 | 553 | H ADJUSTMENT ECCENTRIC SHAFT |
| STYLUS PRO 9880 | 1441483 | 554 | H ADJUSTMENT LEVER |
| STYLUS PRO 9880 | 1441724 | 555 | HEAD ADJUSTMENT SPRING |
| STYLUS PRO 9880 | 1441678 | 556 | CR ENCODER HOLDER B |
| STYLUS PRO 9880 | 1441603 | 557 | INK MARK SENSOR COVER |
| STYLUS PRO 9880 | 2084550 | 558 | BOARD ASSY.,INK MARK |
| STYLUS PRO 9880 | 2111153 | 559 | IM SENSE FFC |
| STYLUS PRO 9880 | 2111143 | 560 | SOLENOID |
| STYLUS PRO 9880 | 1441566 | 561 | CR LOCK KICKER TB-31367 |
| STYLUS PRO 9880 | 1441702 | 562 | SOLENOID SPRING TB-31366 |
| STYLUS PRO 9880 | 2111170 | 563 | EDGE SENSE CABLE ASSY. |
| STYLUS PRO 9880 | 1449302 | 564 | HEAD FFC ASSY.,ASP |
| STYLUS PRO 9880 | F187000 | 565 | PRINT HEAD 1440 |
| STYLUS PRO 9880 | 1264620 | 566 | POROUS PAD,CR |
| STYLUS PRO 9880 | 1441627 | 567 | HEAD LEVER |
| STYLUS PRO 9880 | 1459334 | 569 | WIRE BAND |
| STYLUS PRO 9880 | 1261387 | 570 | LABEL,CUT POSITION |

| Model | Article | Reference | Description |
|-----------------|---------|-----------|-----------------------------------|
| STYLUS PRO 9880 | 2105136 | 571 | BOARD ASSY.,ENCODER,CR,B |
| STYLUS PRO 9880 | 1434996 | 572 | CR CUSHION R SET |
| STYLUS PRO 9880 | 1457622 | 573 | Ersetzt durch: 1491061 |
| STYLUS PRO 9880 | 1305818 | 574 | HOLDER,HEAD |
| STYLUS PRO 9880 | 2111154 | 575 | CR ENC FFC |
| STYLUS PRO 9880 | 2111144 | 600 | CR MOTOR ASSY. |
| STYLUS PRO 9880 | 1441817 | 601 | CR SCALE SPRING TB-31383 |
| STYLUS PRO 9880 | 1441676 | 602 | SCALE INTERNAL HOLDER C |
| STYLUS PRO 9880 | 1426561 | 603 | Ersetzt durch: 1518668 |
| STYLUS PRO 9880 | 1518668 | 603 | SCALE,CR,44 |
| STYLUS PRO 9880 | 1441362 | 605 | CR BELT |
| STYLUS PRO 9880 | 1449307 | 606 | DRIVE ROLLER C ASSY.,ASP TB-31360 |
| STYLUS PRO 9880 | 1441748 | 607 | PRESSURE SPRING TB-31380 |
| STYLUS PRO 9880 | 1441632 | 608 | P REAR SENSOR HOLDER |
| STYLUS PRO 9880 | 2023967 | 609 | BOARD ASSY.,PW |
| STYLUS PRO 9880 | 2111155 | 610 | P REAR FFC |
| STYLUS PRO 9880 | 2111174 | 611 | P THICK 2 CABLE ASSY. |
| STYLUS PRO 9880 | 2111173 | 612 | P THICK 1 CABLE ASSY. |
| STYLUS PRO 9880 | 1441687 | 613 | TENSION SPRING BA |
| STYLUS PRO 9880 | 1449312 | 614 | CR DRIVE PULLEY ASSY.,ASP |
| STYLUS PRO 9880 | 1305755 | 650 | PUMP ASSY.,SUPPLY |
| STYLUS PRO 9880 | 1438495 | 651 | TUBE,PRESSURIZING,FULL,B |
| STYLUS PRO 9880 | 1305822 | 652 | TUBE,PRESSURIZING,44 |
| STYLUS PRO 9880 | 2111106 | 653 | VACUUM FAN ASSY.,MAINTENANCE |
| STYLUS PRO 9880 | 1441792 | 654 | SEAL FAN |
| STYLUS PRO 9880 | 1441324 | 655 | DUCT FAN B |
| STYLUS PRO 9880 | 1441767 | 656 | SEAL HOLDER |
| STYLUS PRO 9880 | 1402073 | 657 | POROUS PAD ASSY.,INK EJECT |
| STYLUS PRO 9880 | 2060507 | 658 | BOARD ASSY.,IC |
| STYLUS PRO 9880 | 2060220 | 659 | CONNECTOR,CARTRIDGE,A |
| STYLUS PRO 9880 | 1305746 | 660 | BOX ASSY.,FLUSHING |
| STYLUS PRO 9880 | 1441762 | 661 | WASTE INK TUBE R |
| STYLUS PRO 9880 | 1441675 | 662 | PAPER GUIDE P,44 |
| STYLUS PRO 9880 | 1441674 | 663 | PAPER GUIDE HOLDER TB-31433 |
| STYLUS PRO 9880 | 2111164 | 664 | ADSORPTION FAN 1 CABLE ASSY. |
| STYLUS PRO 9880 | 2111165 | 665 | ADSORPTION FAN 2 CABLE ASSY. |
| STYLUS PRO 9880 | 1468029 | 666 | HOLDER ASSY.,IC,RIGHT,8C,C699 |
| STYLUS PRO 9880 | 1449296 | 667 | INK FFC R ASSY.,ASP |
| STYLUS PRO 9880 | 1468028 | 668 | HOLDER ASSY.,IC,LEFT,8C,C699 |
| STYLUS PRO 9880 | 1449297 | 669 | INK FFC L ASSY.,ASP |
| STYLUS PRO 9880 | 1305752 | 670 | BOX ASSY.,FLUSHING,44 |
| STYLUS PRO 9880 | 1441801 | 671 | WASTE INK TUBE L |
| STYLUS PRO 9880 | 2111166 | 672 | ADSORPTION FAN 3 CABLE ASSY. |
| STYLUS PRO 9880 | 1059715 | 700 | EDGE CLAMP |
| STYLUS PRO 9880 | 1441782 | 701 | HEXAGON STUD,M3X8 |
| STYLUS PRO 9880 | 1419353 | 702 | POROUS PAD,SUB PLATEN BASE,A |
| STYLUS PRO 9880 | 1419354 | 703 | POROUS PAD,SUB PLATEN BASE,B |
| STYLUS PRO 9880 | 1441661 | 750 | BOAED COVER |
| STYLUS PRO 9880 | 1449303 | 751 | TERM R FFC,ASP |
| STYLUS PRO 9880 | 1449304 | 752 | INK FFC2,ASP |
| STYLUS PRO 9880 | 2111178 | 753 | PUMP PHASE CABLE ASSY. |
| STYLUS PRO 9880 | 2112808 | 754 | PANEL FFC,ASP |

| Model | Article | Reference | Description |
|-----------------|---------|-----------|---------------------------------|
| STYLUS PRO 9880 | 1414002 | 756 | FLAT CLAMP,FCR-35 |
| STYLUS PRO 9880 | 1045442 | 758 | FLAT CORE HOLDER |
| STYLUS PRO 9880 | 1449313 | 759 | TERM L FFC2,ASP |
| STYLUS PRO 9880 | 2111167 | 760 | CR MOTOR CABLE 2 ASSY. |
| STYLUS PRO 9880 | 2111168 | 761 | PF MOTOR CABLE 2 ASSY. |
| STYLUS PRO 9880 | 2111177 | 762 | PRESS POS CABLE ASSY. |
| STYLUS PRO 9880 | 2111175 | 763 | F COVER CABLE ASSY. |
| STYLUS PRO 9880 | 2111176 | 764 | PF ENC CABLE ASSY. |
| STYLUS PRO 9880 | 1063145 | 765 | EDGE SADDLE |
| STYLUS PRO 9880 | 1234049 | 766 | FLAT CLAMP,FCR-30 V0 TB-30758 |
| STYLUS PRO 9880 | 1234048 | 767 | FLAT CLAMP,FCR-15 V0 |
| STYLUS PRO 9880 | 1449314 | 768 | INK FFC1,ASP |
| STYLUS PRO 9880 | 2111169 | 769 | PUMP MOTOR CABLE ASSY. |
| STYLUS PRO 9880 | 2111180 | 770 | RE SOL CONNECTOR CABLE ASSY. |
| STYLUS PRO 9880 | 2111179 | 771 | PRESS MOT CONNECTOR CABLE ASSY. |
| STYLUS PRO 9880 | 1468025 | 800 | PUMP CAP ASSY.,C699 |
| STYLUS PRO 9880 | 1468023 | 801 | CLEANER,HEAD,C699,ASP |
| STYLUS PRO 9880 | 1441755 | 806 | PG REDUCTION GEAR 17-39 |
| STYLUS PRO 9880 | 1441681 | 807 | PG IDLE GEAR A BA TB-30113 |
| STYLUS PRO 9880 | 1441685 | 808 | PG IDLE GEAR B BA TB-30114 |
| STYLUS PRO 9880 | 1451035 | 809 | PRESSURE LEVER |
| STYLUS PRO 9880 | 1441757 | 810 | PG CONNECTING GEAR 40 |
| STYLUS PRO 9880 | 1417240 | 811 | POROUS PAD,INK EJECT,TRAY |
| STYLUS PRO 9880 | 2111147 | 850 | PF MOTOR ASSY. TB-31430 |
| STYLUS PRO 9880 | 2035504 | 851 | BOARD ASSY.,ENCODER |
| STYLUS PRO 9880 | 1441673 | 852 | PF ENCODER COVER B |
| STYLUS PRO 9880 | 1305846 | 853 | SCALE,PF |
| STYLUS PRO 9880 | 1441648 | 854 | SPEED REDUCTION PULLEY |
| STYLUS PRO 9880 | 1441686 | 855 | X SPEED REDUCTION BELT BA |
| STYLUS PRO 9880 | 1467289 | 856 | POROUS PAD,PLATEN |
| STYLUS PRO 9880 | 1412711 | 900 | FLANGE,LEFT TB-31436 |
| STYLUS PRO 9880 | 1104332 | 901 | ADAPTER |
| STYLUS PRO 9880 | 1441363 | 902 | SCROLLER(2 STANDARD) |
| STYLUS PRO 9880 | 1283663 | 903 | E-RING,3,F/UC-3C |
| STYLUS PRO 9880 | 1441708 | 904 | STOPPER SHAFT L |
| STYLUS PRO 9880 | 1104330 | 905 | FLANGE,RIGHT TB-30867 |
| STYLUS PRO 9880 | 1104833 | 906 | LABEL,ROLLPAPER SET,2/3 INCH |
| STYLUS PRO 9880 | 1469209 | 951 | STAND L ASSY. |
| STYLUS PRO 9880 | 1432933 | 952 | CASTER (NON STOPPER) |
| STYLUS PRO 9880 | 1432934 | 953 | CASTER (STOPPER) |
| STYLUS PRO 9880 | 1432941 | 954 | UPPER ARM,L. |
| STYLUS PRO 9880 | 1432943 | 955 | UNDER ARM |
| STYLUS PRO 9880 | 1432930 | 956 | OUTLET TRAY ASSY.,OVERSEAS. |
| STYLUS PRO 9880 | 1432929 | 957 | STAND STAY ASSY. |
| STYLUS PRO 9880 | 1469210 | 958 | STAND R ASSY. |
| STYLUS PRO 9880 | 1432932 | 959 | SCREW ASSY. |
| STYLUS PRO 9880 | 1432935 | 960 | SUPPORT PAPER FILM ASSY. |
| STYLUS PRO 9880 | 1432936 | 961 | UPPER ARM HOLDER,L. |
| STYLUS PRO 9880 | 1432937 | 962 | UPPER ARM HOLDER,R. |
| STYLUS PRO 9880 | 1432938 | 963 | UNDER ARM HOLDER,L. |
| STYLUS PRO 9880 | 1432940 | 964 | UNDER ARM HOLDER,R. |
| STYLUS PRO 9880 | 1432942 | 965 | UPPER ARM,R. |

| Model | Article | Reference | Description |
|-----------------|---------|-----------|---------------------------------------|
| STYLUS PRO 9880 | 1419633 | 966 | LABEL,PAPER EJECT CLOTH SET,44,B |
| STYLUS PRO 9880 | 1469207 | 970 | STAND ASSY.,44 |
| STYLUS PRO 9880 | 2089186 | IC21 | GATE ARRAY |
| STYLUS PRO 9880 | 1474334 | NON FIG | BLACK CONVERSION KIT BOXED,AS,9C1 |
| STYLUS PRO 9880 | 1424366 | NON FIG | CUTTER POSITION JIG |
| STYLUS PRO 9880 | 1080614 | NON FIG | GREASE G-26 (40GR)(B702600001) M-2728 |
| STYLUS PRO 9880 | 1472920 | NON FIG | INK CART.BOXED C,PIG'T,9C1,110AS |
| STYLUS PRO 9880 | 1472925 | NON FIG | INK CART.BOXED LBK,PIG'T,9C1,110AS |
| STYLUS PRO 9880 | 1472923 | NON FIG | INK CART.BOXED LC,PIG'T,9C1,110AS |
| STYLUS PRO 9880 | 1472926 | NON FIG | INK CART.BOXED LLBK,PIG'T,9C1,110AS |
| STYLUS PRO 9880 | 1472919 | NON FIG | INK CART.BOXED PBK,PIG'T,9C1,110AS |
| STYLUS PRO 9880 | 1472924 | NON FIG | INK CART.BOXED VLM,PIG'T,9C1,110AS |
| STYLUS PRO 9880 | 1472921 | NON FIG | INK CART.BOXED VM,PIG'T,9C1,110AS |
| STYLUS PRO 9880 | 1472922 | NON FIG | INK CART.BOXED Y,PIG'T,9C1,110AS |
| STYLUS PRO 9880 | 1430064 | NON FIG | INK LEAK CHECK JIG |
| STYLUS PRO 9880 | 1424365 | NON FIG | INK MARK SENSOR POSITION JIG |
| STYLUS PRO 9880 | 1476228 | NON FIG | JETRAS JP-D300S 07-003 #F992 |
| STYLUS PRO 9880 | 1424364 | NON FIG | P-THICK SENSOR POSITION JIG |
| STYLUS PRO 9880 | 1432563 | NON FIG | SUPER MULPUS OIL #32 |
| STYLUS PRO 9880 | 1060744 | NON FIG | TENSION GAUGE 40N |
| STYLUS PRO 9880 | 1401952 | NON FIG | TENSION GAUGE(10N) |